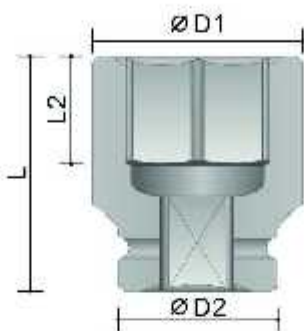


:: Industrial Pneumatic Socket ::





1/4"



1/4" Sq. Dr., "METRIC" Standard Length Impact Sockets.6-Point



Part No.	Size (mm)	Type	D2 mm	D1 mm	L2 mm	L mm
14AM0040	4	A	13	7.6	4	23
14AM0045	4.5	A	13	8.2	5	23
14AM0050	5	A	13	8.8	5	23
14AM0055	5.5	A	13	9.5	5	23
14AM0060	6	A	13	10	6	23
14AM0070	7	A	13	11.3	6	23
14AM0080	8	A	13	12.5	7	23
14AM0090	9	B	13	13.8	7	23
14AM0100	10	B	13	15	7	23
14AM0110	11	B	13	16.3	8	23
14AM0120	12	B	13	17	8	23
14AM0130	13	B	13	18.8	8	23
14AM0140	14	B	13	20	8	23
14AM0150	15	B	13	21	8	23



Shape A

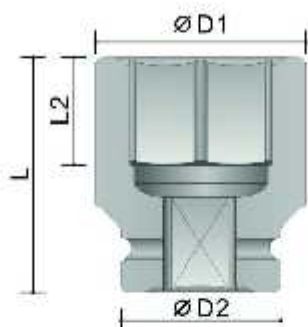
1/4" Sq. Dr., "SAE" Standard Length Impact Sockets.6-Point



Part No.	Size (SAE)	Type	D2 mm	D1 mm	L2 mm	L mm
14AS0006	3/16"	A	13	8.5	5	23
14AS0007	7/32"	A	13	9.5	5	23
14AS0008	1/4"	A	13	10.3	6	23
14AS0009	9/32"	A	13	11.3	6	23
14AS0010	5/16"	A	13	12.5	7	23
14AS0011	11/32"	B	13	13.8	7	23
14AS0012	3/8"	B	13	15	7	23
14AS0014	7/16"	B	13	16.3	8	23
14AS0016	1/2"	B	13	18.8	8	23
14AS0018	9/16"	B	13	20	8	23



Shape B



Shape A



Shape B

1/4" Sq. Dr., "METRIC" Deep Length Impact Sockets, 6-Point

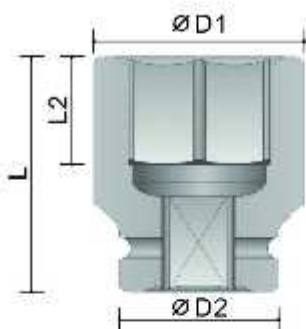
Part No.	Size (mm)	Type	D2 mm	D1 mm	L2 mm	L mm
14AM2040	4	A	13	7.6	4	50
14AM2045	4.5	A	13	8.2	6	50
14AM2050	5	A	13	8.8	6	50
14AM2055	5.5	A	13	9.5	6	50
14AM2060	6	A	13	10	7	50
14AM2070	7	A	13	11.3	7	50
14AM2080	8	A	13	12.5	9	50
14AM2090	9	B	13	13.8	9	50
14AM2100	10	B	13	15	9	50
14AM2110	11	B	13	16.3	9	50
14AM2120	12	B	13	17	9	50
14AM2130	13	B	13	18.8	9	50
14AM2140	14	B	13	20	9	50
14AM2150	15	B	13	21	9	50

1/4" Sq. Dr., "SAE" Deep Length Impact Sockets, 6-Point

Part No.	Size (SAE)	Type	D2 mm	D1 mm	L2 mm	L mm
14AS2006	3/16"	A	13	8.5	6	50
14AS2007	7/32"	A	13	9.5	6	50
14AS2008	1/4"	A	13	10.3	7	50
14AS2009	9/32"	A	13	11.3	7	50
14AS2010	5/16"	A	13	12.5	9	50
14AS2011	11/32"	B	13	13.8	9	50
14AS2012	3/8"	B	13	15	9	50
14AS2014	7/16"	B	13	16.3	9	50
14AS2016	1/2"	B	13	18.8	9	50
14AS2018	9/16"	B	13	20	9	50



3/8"



Shape A




Shape B



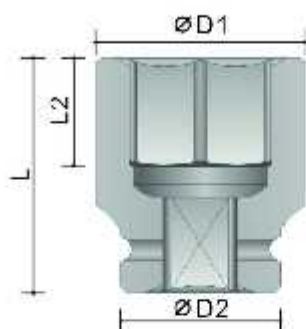
Shape C

3/8" Sq.Dr., "METRIC" Standard Length Impact Sockets, 6-Point

Part No.	Size (mm)	Type				
			D2 mm	D1 mm	L2 mm	L mm
38AM0006	6	A	19	10.5	4	30
38AM0007	7	A	19	11.5	8	30
38AM0008	8	A	19	12.5	8	30
38AM0009	9	A	19	14	8	30
38AM0010	10	A	19	15	8	30
38AM0011	11	A	19	17	9	30
38AM0012	12	A	19	17.5	9	30
38AM0013	13	B	19	19	9	30
38AM0014	14	B	20	20	9	30
38AM0015	15	B	22	22	11	30
38AM0016	16	C	22	24	11	30
38AM0017	17	C	22	25	11	30
38AM0018	18	C	22	26	11	30
38AM0019	19	C	22	27.5	11	30
38AM0020	20	C	22	28	12	30
38AM0021	21	C	22	30	13	30
38AM0022	22	C	23	32	13	30
38AM0024	24	C	23	34	13	30

3/8" Sq. Dr., "SAE" Standard Length Impact Sockets, 6-Point

Part No.	Size (SAE)	Type				
			D2 mm	D1 mm	L2 mm	L mm
38BS0008	1/4"	A	19	11	4	30
38BS0010	5/16"	A	19	12.5	8	30
38BS0012	3/8"	A	19	14.5	8	30
38BS0014	7/16"	A	19	17	9	30
38BS0016	1/2"	B	19	19	9	30
38BS0018	9/16"	B	20	20	9	30
38BS0020	5/8"	B	24	24	11	30
38BS0022	11/16"	B	24	24	11	30
38BS0024	3/4"	B	26	26	11	30
38BS0026	13/16"	B	28	28	13	30
38BS0028	7/8"	B	30	30	13	30
38BS0030	15/16"	B	32	32	13	30
38BS0100	1"	B	34	34	13	30



3/8" Sq.Dr. "METRIC" Deep Length Impact Sockets, 6-Point

Part No.	Size (mm)	Type				
			D2 mm	D1 mm	L2 mm	L mm
38AM2007	7	A	19	12.5	12	65
38AM2008	8	A	19	13.8	12	65
38AM2009	9	A	19	15	12	65
38AM2010	10	A	19	16	12	65
38AM2011	11	A	19	17.5	25	65
38AM2012	12	B	19	19	25	65
38AM2013	13	A	22	20	25	65
38AM2014	14	A	22	21	25	65
38AM2015	15	B	22	22	25	65
38AM2016	16	C	22	24	25	65
38AM2017	17	C	22	25	25	65
38AM2018	18	C	22	26	25	65
38AM2019	19	C	22	27.5	25	65
38AM2020	20	C	22	28	25	65
38AM2021	21	C	22	30	25	65
38AM2022	22	C	23	32	25	65
38AM2024	24	C	23	34	25	65



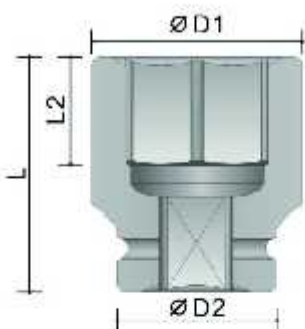
Shape A



Shape B



Shape C



Shape A




Shape B



Shape C

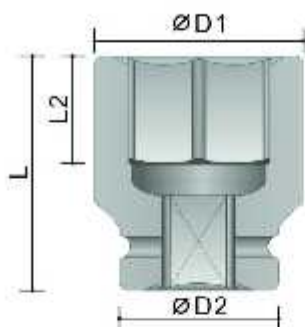
1/2" Sq.Dr. "METRIC" Standard Length Impact Sockets, 6-Point



Part No.	Size (mm)	Type	D2 mm	D1 mm	L2 mm	L mm
12AM0008	8	A	25	14	9	38
12AM0009	9	A	25	15	12	38
12AM0010	10	A	25	16	12	38
12AM0011	11	A	25	17.5	12	38
12AM0012	12	A	25	19	12	38
12AM0013	13	A	25	20	12	38
12AM0014	14	A	25	22	12	38
12AM0015	15	A	25	23	12	38
12AM0016	16	B	25	25	12	38
12AM0017	17	B	26	26	13	38
12AM0018	18	B	26	26	13	38
12AM0019	19	B	28	28	13	38
12AM0020	20	B	30	30	13	38
12AM0021	21	B	30	30	13	38
12AM0022	22	C	30	32	13	38
12AM0023	23	C	30	32	13	38
12AM0024	24	C	30	35	20	45
12AM0025	25	C	30	36	20	45
12AM0026	26	C	30	38	22	50
12AM0027	27	C	30	38.7	22	50
12AM0028	28	C	30	40	22	50
12AM0029	29	C	30	40	22	50
12AM0030	30	C	30	42	22	50
12AM0031	31	C	30	43	28	50
12AM0032	32	C	30	44	28	50
12AM0033	33	C	30	45	28	50
12AM0035	35	C	30	47	28	50
12AM0036	36	C	30	49	28	50



3/4"



3/4" Sq.Dr.,"METRIC" Standard Length Impact Sockets, 6-Point

Part No.	Size (mm)	Type				
			D2 mm	D1 mm	L2 mm	L mm
34AM0013	13	A	38	22	12	50
34AM0014	14	A	38	25.5	12	50
34AM0015	15	A	38	26	12	50
34AM0016	16	A	38	27.5	12	50
34AM0017	17	A	38	28.5	12	50
34AM0018	18	A	38	29.5	12	50
34AM0019	19	A	38	30	14	50
34AM0020	20	A	38	31	16	52
34AM0021	21	A	38	32	16	52
34AM0022	22	A	38	34	16	52
34AM0023	23	A	38	35	16	52
34AM0024	24	A	38	36	16	52
34AM0025	25	B	38	38	16	52
34AM0026	26	C	38	40	16	52
34AM0027	27	C	38	40	16	52
34AM0028	28	B	42	42	20	52
34AM0029	29	B	42	42	20	52
34AM0030	30	B	44	44	20	52
34AM0031	31	B	44	44	20	52
34AM0032	32	B	44	44	20	52
34AM0033	33	C	44	47	23	56
34AM0034	34	C	44	48	23	56
34AM0035	35	C	44	50	23	56
34AM0036	36	C	44	51	23	56
34AM0037	37	C	44	51	23	56
34AM0038	38	C	44	53	23	56
34AM0039	39	C	44	56	27	62
34AM0040	40	C	44	56	27	62
34AM0041	41	C	44	58	27	62
34AM0042	42	C	44	61	27	62
34AM0043	43	C	44	63	27	63
34AM0044	44	C	44	65	27	63
34AM0045	45	C	44	66	27	63
34AM0046	46	C	44	67	27	63
34AM0047	47	C	44	68	32	68
34AM0048	48	C	44	69	32	68
34AM0049	49	C	44	70	34	70
34AM0050	50	C	54	71	35	72
34AM0052	52	C	54	74	35	72
34AM0054	54	C	54	77	35	72
34AM0055	55	C	54	77	35	74
34AM0056	56	C	54	80	35	74
34AM0060	60	C	54	84	35	75
34AM0063	63	C	54	86	35	75
34AM0065	65	C	54	88	38	78
34AM0067	67	C	54	90	40	80



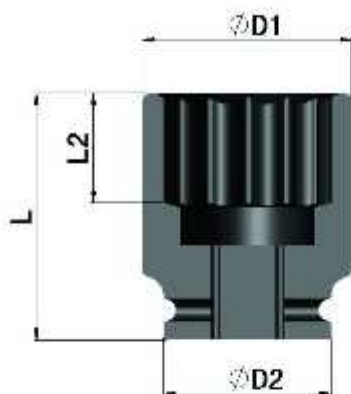
Shape A



Shape B



Shape C



1/2" Sq.Dr., "METRIC" Standard Length Impact Sockets, 12-Point



Shape A



Shape B

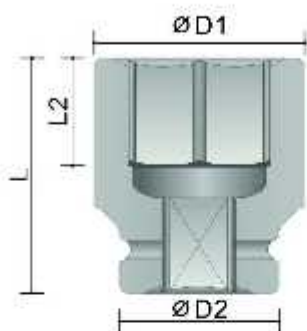


Shape C

Part No.	Size (mm)	Type				
			D2 mm	D1 mm	L2 mm	L mm
12CM5008	8	A	24	15	9	38
12CM5009	9	A	24	15	12	38
12CM5010	10	A	24	17	12	38
12CM5011	11	A	24	18	12	38
12CM5012	12	A	24	19	12	38
12CM5013	13	A	24	20	12	38
12CM5014	14	A	24	22	12	38
12CM5015	15	B	24	24	12	38
12CM5016	16	B	24	24	12	38
12CM5017	17	B	26	26	13	38
12CM5018	18	B	26	26	13	38
12CM5019	19	B	28	28	13	38
12CM5020	20	B	30	30	13	38
12CM5021	21	B	30	30	13	38
12CM5022	22	B	32	32	13	38
12CM5023	23	B	32	32	13	38
12CM5024	24	B	34	34	19	45
12CM5025	25	B	36	36	19	45
12CM5026	26	B	36	36	20	50
12CM5027	27	B	38	38	20	50
12CM5028	28	C	38	40	20	50
12CM5029	29	C	38	40	20	50
12CM5030	30	C	38	42	20	50
12CM5032	32	C	38	44	20	50
12CM5033	33	C	38	45	25	50
12CM5036	36	C	38	48	25	50



1/2"



1/2" Sq.Dr., "SAE" Standard Length Impact Sockets, 6-Point



Shape A



Shape B

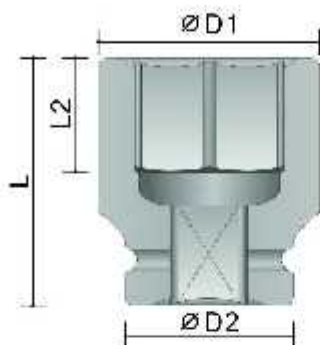


Shape C

Part No.	Size (SAE)	Type	D2 mm	D1 mm	L2 mm	L mm
12BS0010	5/16"	A	22	15	9	38
12BS0012	3/8"	A	22	16	12	38
12BS0014	7/16"	A	22	18	12	38
12BS0016	1/2"	A	22	20	12	38
12BS0018	9/16"	A	24	22	12	38
12BS0020	5/8"	B	25	25	12	38
12BS0022	11/16"	B	26	26	13	38
12BS0024	3/4"	B	28	28	13	38
12BS0026	13/16"	B	30	30	13	38
12BS0028	7/8"	B	32	32	13	38
12BS0030	15/16"	B	34	34	13	38
12BS0100	1"	B	36	36	14	38
12BS0102	1-1/16"	B	38	38	16	40
12BS0104	1-1/8"	C	38	40	16	40
12BS0106	1-3/16"	C	38	42	16	40
12BS0108	1-1/4"	C	38	44	18	40
12BS0110	1-5/16"	C	38	45	21	43
12BS0112	1-3/8"	C	38	48.5	26	50
12BS0114	1-7/16"	C	38	50.5	26	50
12BS0116	1-1/2"	C	38	52.5	26	50



1/2"



Shape A

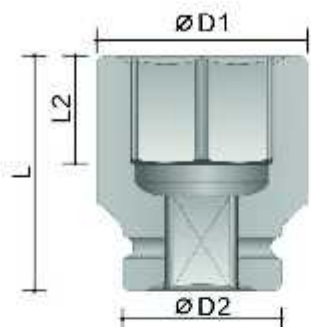


Shape B

1/2" Sq.Dr., "METRIC" Extra Thin Wall Deep Length Impact Sockets, 6-Point



Part No.	Size (mm)	Type	D2 mm	D1 mm	L2 mm	L mm
12BM2014	14	A	24	21	17	78
12BM2017	17	B	24	24	17	78
12BM2019	19	B	26	26	19	78
12BM2021	21	B	28	28	24	78
12BM2022	22	B	29.5	29.5	24	78



1/2" Sq.Dr.,"METRIC" Deep Length Impact Sockets, 6-Point



Shape A

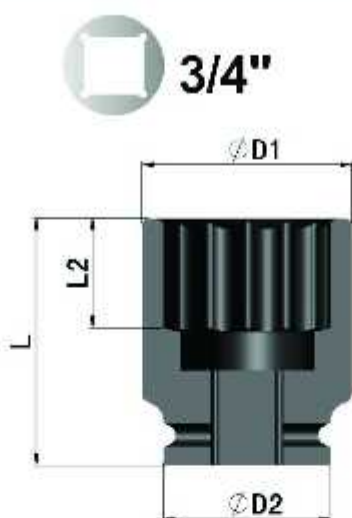


Shape B



Shape C

Part No.	Size (mm)	Type	1/2" Sq.Dr.,"METRIC" Deep Length Impact Sockets, 6-Point			
			D2 mm	D1 mm	L2 mm	L mm
12AM2008	8	A	25	15	13	78
12AM2009	9	A	25	16	14	78
12AM2010	10	A	25	17.5	14	78
12AM2011	11	A	25	18.7	14	78
12AM2012	12	A	25	20	14	78
12AM2013	13	A	25	21	14	78
12AM2014	14	A	25	22.5	17	78
12AM2015	15	A	30	23.7	17	78
12AM2016	16	A	30	25	17	78
12AM2017	17	A	30	26	17	78
12AM2018	18	A	30	27.5	17	78
12AM2019	19	A	30	28.7	19	78
12AM2020	20	B	30	30	19	78
12AM2021	21	B	30	30	24	78
12AM2022	22	C	30	32	24	78
12AM2023	23	C	30	32	24	78
12AM2024	24	C	30	35	24	78
12AM2025	25	C	30	36	24	78
12AM2026	26	C	30	38	24	78
12AM2027	27	C	30	38.7	54	78
12AM2028	28	C	30	40	54	78
12AM2029	29	C	30	40	54	78
12AM2030	30	C	30	42	54	78
12AM2031	31	C	30	43	54	78
12AM2032	32	C	30	44	54	78
12AM2033	33	C	30	45	54	78
12AM2035	35	C	30	47	54	78
12AM2036	36	C	30	49	54	78



Shape A




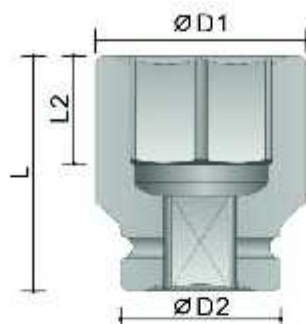
Shape B



Shape C

3/4" Sq.Dr., "METRIC" Standard Length Impact Sockets, 12-Point

Part No.	Size (mm)	Type				
			D2 mm	D1 mm	L2 mm	L mm
34BM5013	13	A	38	23	12	50
34BM5014	14	A	38	24	12	50
34BM5015	15	A	38	26	12	50
34BM5016	16	A	38	27	12	50
34BM5017	17	A	38	28	12	50
34BM5018	18	A	38	29	12	50
34BM5019	19	A	38	30	14	50
34BM5020	20	A	38	31	16	52
34BM5021	21	A	38	32	16	52
34BM5022	22	A	38	34	16	52
34BM5023	23	A	38	35	16	52
34BM5024	24	A	38	36	18	52
34BM5025	25	B	38	38	18	52
34BM5026	26	C	38	40	23	52
34BM5027	27	C	38	40	23	52
34BM5028	28	C	38	42	23	52
34BM5029	29	C	38	43	23	52
34BM5030	30	C	38	43	23	52
34BM5031	31	C	38	44	24	56
34BM5032	32	C	38	45	24	56
34BM5033	33	C	38	46	24	56
34BM5034	34	C	38	48	24	56
34BM5035	35	C	38	50	24	56
34BM5036	36	C	38	51	24	56
34BM5037	37	C	38	52	24	56
34BM5038	38	C	38	53	24	56
34BM5039	39	C	38	55	28	62
34BM5041	41	C	38	58	28	62
34BM5042	42	C	38	61	28	62
34BM5043	43	C	38	63	28	62
34BM5046	46	C	38	67	33	68
34BM5050	50	C	38	71	34	70
34BM5055	55	C	54	77	35	74
34BM5056	56	C	54	77	35	74
34BM5060	60	C	54	84	35	75
34BM5063	63	C	54	86	37	78
34BM5065	65	C	54	88	38	78
34BM5067	67	C	54	90	40	80



Shape A



Shape B



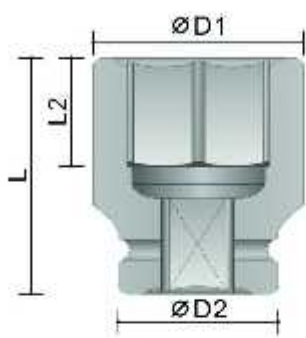
Shape C

3/4" Sq.Dr., "SAE" Standard Length Impact Sockets, 6-Point

Part No.	Size (SAE)	Type				
			D2 mm	D1 mm	L2 mm	L mm
34AS0016	1/2"	A	38	22	12	50
34AS0018	9/16"	A	38	25.5	12	50
34AS0020	5/8"	A	38	27.5	12	50
34AS0022	11/16"	A	38	29	12	50
34AS0024	3/4"	A	38	30	14	50
34AS0026	13/16"	A	38	32	16	52
34AS0028	7/8"	A	38	34	16	52
34AS0030	15/16"	A	38	36	16	52
34AS0100	1"	C	38	40	16	52
34AS0102	1-1/16"	C	38	40	16	52
34AS0104	1-1/8"	B	42	42	20	52
34AS0106	1-3/16"	B	44	44	20	52
34AS0108	1-1/4"	B	44	44	20	52
34AS0110	1-5/16"	C	44	47	23	56
34AS0112	1-3/8"	C	44	50	23	56
34AS0114	1-7/16"	C	44	51	23	56
34AS0116	1-1/2"	C	44	53	23	56
34AS0118	1-9/16"	C	44	56	27	62
34AS0120	1-5/8"	C	44	58	27	62
34AS0122	1-11/16"	C	44	63.5	27	62
34AS0124	1-3/4"	C	44	65	27	62
34AS0126	1-13/16"	C	44	67	32	68
34AS0128	1-7/8"	C	44	68	32	68
34AS0130	1-15/16"	C	44	70	34	70
34AS0200	2"	C	54	71	35	72
34AS0202	2-1/16"	C	54	74	35	72
34AS0204	2-1/8"	C	54	77	35	72
34AS0206	2-3/16"	C	54	77	35	74
34AS0208	2-1/4"	C	54	80	35	74
34AS0210	2-5/16"	C	54	82	35	75
34AS0212	2-3/8"	C	54	84	35	75
34AS0214	2-7/16"	C	54	85	35	75
34AS0216	2-1/2"	C	54	86	35	75



3/4"



Shape A



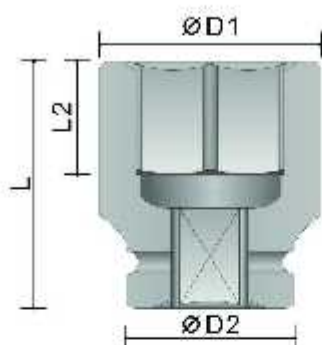
Shape B



Shape C

3/4" Sq.Dr., "METRIC" Deep Length Impact Sockets, 6-Point

Part No.	Size (mm)	Type	Dimensions (mm)			
			D2	D1	L2	L
34AM2013	13	A	44	25	20	95
34AM2014	14	A	44	25	20	95
34AM2015	15	A	44	26	20	95
34AM2016	16	A	44	27	20	95
34AM2017	17	A	44	31	20	95
34AM2018	18	A	44	32	20	95
34AM2019	19	A	44	33	23	95
34AM2020	20	A	44	34	23	95
34AM2021	21	A	44	35	23	95
34AM2022	22	A	44	37	23	95
34AM2023	23	A	44	38	23	95
34AM2024	24	A	44	39	51	95
34AM2025	25	A	44	40	51	95
34AM2026	26	A	44	41	51	95
34AM2027	27	A	44	43	62	95
34AM2028	28	B	44	44	62	95
34AM2029	29	C	44	45	62	95
34AM2030	30	C	44	47	62	95
34AM2031	31	C	44	48	62	95
34AM2032	32	C	44	49	62	95
34AM2033	33	C	44	51	62	95
34AM2034	34	C	44	52	62	95
34AM2035	35	C	44	53	62	95
34AM2036	36	C	44	54	62	95
34AM2037	37	C	44	56	62	95
34AM2038	38	C	44	57	60	95
34AM2039	39	C	44	58	60	95
34AM2040	40	C	44	58	60	95
34AM2041	41	C	44	60	60	95
34AM2042	42	C	44	62	60	95
34AM2043	43	C	44	63	60	95
34AM2044	44	C	44	65	60	95
34AM2046	46	C	44	67	58	95
34AM2047	47	C	44	68	58	95
34AM2048	48	C	44	69	58	95
34AM2049	49	C	44	70	58	95
34AM2050	50	C	54	71	58	95
34AM2052	52	C	54	74	58	95
34AM2055	55	C	54	77	58	100
34AM2060	60	C	54	84	58	105
34AM2065	65	C	54	88	58	105



1" Sq.Dr., "METRIC" Standard Length Impact Sockets, 6-Point



Shape A



Shape B

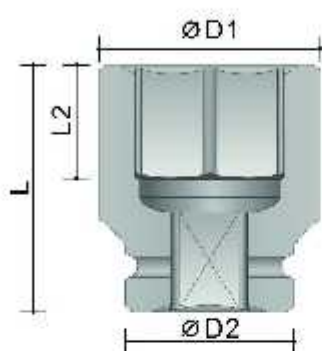


Shape C

Part No.	Size (mm)	Type	D2 (mm)	D1 (mm)	L2 (mm)	L (mm)
1AM0017	17	A	51	34	17	58
1AM0018	18	A	51	35	17	58
1AM0019	19	A	51	36	17	58
1AM0020	20	A	51	37	17	58
1AM0021	21	A	51	38	17	58
1AM0022	22	A	51	39	17	58
1AM0023	23	A	51	40	17	58
1AM0024	24	A	51	40	17	58
1AM0025	25	A	51	41	17	58
1AM0026	26	A	51	42.5	17	58
1AM0027	27	A	51	44	17	58
1AM0028	28	A	51	45	17	58
1AM0029	29	A	51	46	19	60
1AM0030	30	A	51	48	21	60
1AM0031	31	A	51	48	21	60
1AM0032	32	B	51	51	21	60
1AM0033	33	C	52	53	21	62
1AM0034	34	C	52	54	21	62
1AM0035	35	C	52	54	21	62
1AM0036	36	C	52	56	26	62
1AM0037	37	C	52	57	26	62
1AM0038	38	C	52	58	26	62
1AM0039	39	C	52	59	26	62
1AM0040	40	C	52	60	26	62



1"



Shape C

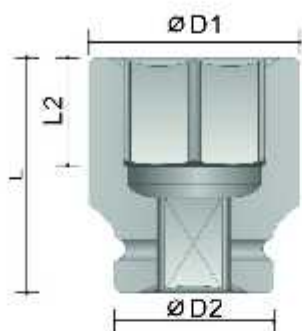
1" Sq.Dr.,"METRIC" Standard Length Impact Sockets, 6-Point

Part No.	Size (mm)	Type	D2 mm	D1 mm	L2 mm	L mm
1AM0041	41	C	52	61.5	26	62
1AM0042	42	C	52	63	27	64
1AM0043	43	C	52	65	27	64
1AM0044	44	C	52	65	27	64
1AM0045	45	C	58	66	27	64
1AM0046	46	C	58	68	27	64
1AM0047	47	C	58	69	28	66
1AM0048	48	C	58	70	30	68
1AM0050	50	C	58	73	30	70
1AM0051	51	C	58	74	31	70
1AM0052	52	C	58	75	31	70
1AM0053	53	C	58	75	31	70
1AM0054	54	C	58	78	31	70
1AM0055	55	C	62	79	32	72
1AM0056	56	C	62	80	34	74
1AM0057	57	C	62	84	35	75
1AM0058	58	C	62	85	35	75
1AM0060	60	C	62	87	35	78
1AM0063	63	C	62	91	36	80
1AM0065	65	C	62	93	36	80
1AM0067	67	C	62	95	38	82
1AM0070	70	C	62	98	40	85
1AM0071	71	C	62	100	40	87
1AM0075	75	C	86	104	52	98
1AM0080	80	C	86	109	52	100
1AM0085	85	C	86	115	52	100
1AM0090	90	C	86	125	55	105
1AM0095	95	C	86	130	55	105
1AM0100	100	C	95	137	55	105
1AM0105	105	C	95	143	55	105
1AM0110	110	C	95	147	55	105
1AM0115	115	C	95	152	55	105



1"

1" Sq.Dr., "SAE" Standard Length Impact Sockets, 6-Point



Shape A



Shape B

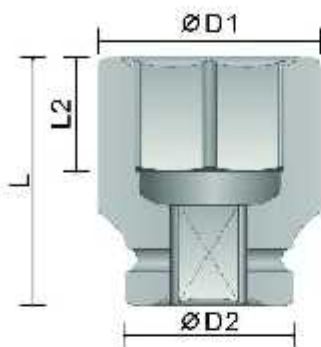


Shape C

Part No.	Size (SAE)	Type				
			D2 mm	D1 mm	L2 mm	L mm
1AS0020	5/8"	A	51	32	17	58
1AS0022	11/16"	A	51	34	17	58
1AS0024	3/4"	A	51	36	17	58
1AS0026	13/16"	A	51	38	17	58
1AS0028	7/8"	A	51	39	17	58
1AS0030	15/16"	A	51	40	17	58
1AS0100	1"	A	51	42	17	58
1AS0102	1-1/16"	A	51	44	17	58
1AS0104	1-1/8"	A	51	46	19	58
1AS0106	1-3/16"	A	51	48	21	60
1AS0108	1-1/4"	B	51	51	21	60
1AS0110	1-5/16"	C	52	53	21	62
1AS0112	1-3/8"	C	52	54	21	62
1AS0114	1-7/16"	C	52	56	26	62
1AS0116	1-1/2"	C	52	58	26	62
1AS0118	1-9/16"	C	52	60	26	62
1AS0120	1-5/8"	C	52	61.5	26	62
1AS0122	1-11/16"	C	52	65	27	64
1AS0124	1-3/4"	C	58	66	27	64
1AS0126	1-13/16"	C	58	68	27	64
1AS0128	1-7/8"	C	58	70	28	66
1AS0130	1-15/16"	C	58	72	28	68
1AS0200	2"	C	58	74	31	70
1AS0202	2-1/16"	C	58	75	31	70
1AS0204	2-1/8"	C	58	78	31	70
1AS0206	2-3/16"	C	62	80	32	72
1AS0208	2-1/4"	C	62	84	34	75
1AS0210	2-5/16"	C	62	86	34	75
1AS0212	2-3/8"	C	62	87	35	78
1AS0214	2-7/16"	C	62	89	35	78
1AS0216	2-1/2"	C	62	91	36	80
1AS0218	2-9/16"	C	62	93	36	80
1AS0220	2-5/8"	C	62	95	38	82
1AS0222	2-11/16"	C	62	97	38	82
1AS0224	2-3/4"	C	62	98	40	85
1AS0226	2-13/16"	C	62	100	40	87
1AS0228	2-7/8"	C	62	102	41	87
1AS0230	2-15/16"	C	86	104	48	95
1AS0300	3"	C	86	106	52	98
1AS0304	3-1/8"	C	86	109	52	100
1AS0308	3-1/4"	C	86	113	52	100
1AS0312	3-3/8"	C	86	115	52	100
1AS0316	3-1/2"	C	86	125	52	105
1AS0320	3-5/8"	C	86	127	52	105
1AS0324	3-3/4"	C	86	130	52	105
1AS0328	3-7/8"	C	95	136	52	105
1AS0400	4"	C	95	140	52	105
1AS0404	4-1/8"	C	95	143	52	105
1AS0408	4-1/4"	C	95	146	52	105
1AS0416	4-1/2"	C	95	152	52	105



1"



Shape A



Shape B



Shape C

1" Sq.Dr., "METRIC" Special Auto repair Semi-Deep Impact Sockets, 6-Point



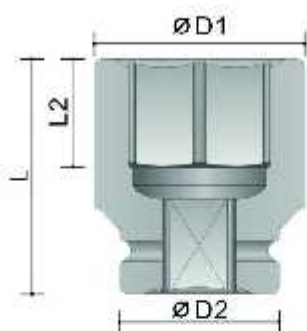
Part No.	Size (mm)	Type	D2	D1	L2	L
			mm	mm	mm	mm
42R80017	17	A	50	34	23	80
42R80019	19	A	50	36	23	80
42R80021	21	A	50	37	23	80
42R80022	22	A	50	38	23	80
42R80024	24	A	50	41	23	80
42R80027	27	A	52	42	23	80
42R80030	30	A	52	46	30	80
42R80032	32	A	52	48	30	80
42R80033	33	B	52	51	30	80
42R80035	35	B	54	53	30	80
42R80036	36	C	54	54	45	80
42R80038	38	C	54	57	45	80
42R80041	41	C	54	60	45	80

AUTO REPAIR SOCKETS

MATERIAL:40CR



Part No.	Size (mm)	Type	D2	D1	L2	L
			mm	mm	mm	mm
40C80017	17	A	48	34	23	80
40C80019	19	A	48	36	23	80
40C80021	21	A	50	37	23	80
40C80022	22	A	50	38	23	80
40C80024	24	A	50	41	23	80
40C80027	27	A	50	42	23	80
40C80030	30	A	50	46	30	80
40C80032	32	A	52	48	30	80
40C80033	33	B	52	50	30	80
40C80035	35	B	52	52	30	80
40C80036	36	C	52	54	45	80
40C80038	38	C	52	57	45	80
40C80041	41	C	52	59	45	80



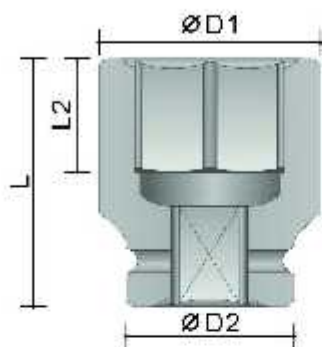
Shape A



Shape B

1" Sq.Dr.,"METRIC" Deep Length Impact Sockets, 6-Point

Part No.	Size (mm)	Type				
			D2 mm	D1 mm	L2 mm	L mm
IAM2017	17	A	54	34	21	100
IAM2018	18	A	54	34.5	21	100
IAM2019	19	A	54	35.5	21	100
IAM2020	20	A	54	36.5	21	100
IAM2021	21	A	54	37.5	21	100
IAM2022	22	A	54	40	21	100
IAM2023	23	A	54	41	21	100
IAM2024	24	A	54	42	21	100
IAM2025	25	A	54	43	21	100
IAM2026	26	A	54	44.5	21	100
IAM2027	27	A	54	46	23	100
IAM2028	28	A	54	47	23	100
IAM2029	29	A	54	48	50	100
IAM2030	30	A	54	50	50	100
IAM2031	31	A	54	51	50	100
IAM2032	32	A	54	52	50	100
IAM2033	33	A	54	53	50	100
IAM2034	34	B	54	55	50	100
IAM2035	35	B	54	55	50	100
IAM2036	36	B	54	56	64	100
IAM2037	37	B	54	59	64	100
IAM2038	38	B	54	59	64	100
IAM2039	39	B	54	60	64	100
IAM2040	40	B	54	62	64	100
IAM2041	41	B	54	63	64	100
IAM2042	42	B	54	64	65	100
IAM2043	43	B	54	66	64	100
IAM2044	44	B	54	67	62	100
IAM2045	45	B	54	68	62	100
IAM2046	46	B	54	69	62	100
IAM2047	47	B	54	72	62	100
IAM2048	48	B	54	73	62	100
IAM2050	50	B	54	74	62	100

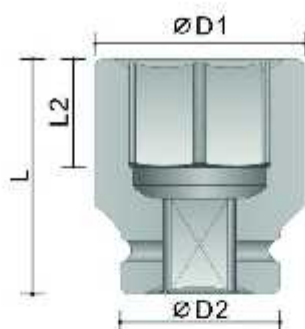


Shape B

1" Sq.Dr.,"METRIC" Deep Length Impact Sockets, 6-Point

Part No.	Size (mm)	Type				
			D2 mm	D1 mm	L2 mm	L mm
1AM2051	51	B	54	76	60	100
1AM2052	52	B	54	77	60	100
1AM2053	53	B	54	78	60	100
1AM2054	54	B	54	79	60	100
1AM2055	55	B	54	80	60	100
1AM2056	56	B	54	81	65	105
1AM2057	57	B	54	82	65	105
1AM2058	58	B	54	84	65	105
1AM2060	60	B	54	86	77	120
1AM2062	62	B	54	88	77	120
1AM2063	63	B	54	90	77	120
1AM2065	65	B	54	92	80	125
1AM2067	67	B	54	95	80	125
1AM2070	70	B	54	99	80	125
1AM2075	75	B	86	104	87	135
1AM2080	80	B	86	109	87	135
1AM2085	85	B	86	115	90	140
1AM2090	90	B	86	125	90	140
1AM2095	95	B	86	130	90	140
1AM2100	100	B	95	137	90	140
1AM2105	105	B	95	143	100	155
1AM2110	110	B	95	147	100	155
1AM2115	115	B	95	152	100	155

 1-1/2"



1-1/2" Sq.Dr., "METRIC" Standard Length Impact Sockets, 6-Point



Part No.	Size (mm)	Type	D2	D1	L2	L
			mm	mm	mm	mm
112AM0030	30	A	86	56	23	78
112AM0032	32	A	86	58	23	78
112AM0035	35	A	86	62	23	78
112AM0036	36	A	86	64	23	78
112AM0037	37	A	86	65	23	78
112AM0038	38	A	86	66	24	78
112AM0040	40	A	86	68	24	78
112AM0041	41	A	86	70	26	80
112AM0042	42	A	86	71	26	80
112AM0045	45	A	86	75	27	84
112AM0046	46	A	86	76	27	84
112AM0047	47	A	86	77	29	84
112AM0048	48	A	86	79	29	84
112AM0050	50	A	86	81	29	87
112AM0052	52	A	86	83	31	87
112AM0054	54	B	86	86	36	90
112AM0055	55	B	86	86	36	90
112AM0056	56	B	86	86	38	92
112AM0058	58	C	86	92	38	92
112AM0060	60	C	86	93	38	92
112AM0061	61	C	86	95	40	95
112AM0062	62	C	86	96	40	95
112AM0065	65	C	86	97	40	95
112AM0068	68	C	86	104	43	100
112AM0070	70	C	86	105	43	100
112AM0072	72	C	86	108	45	103
112AM0075	75	C	86	110	45	103
112AM0078	78	C	86	115	50	110
112AM0080	80	C	86	116	50	110
112AM0085	85	C	86	125	55	118
112AM0088	88	C	86	128	55	118
112AM0090	90	C	86	130	55	118
112AM0095	95	C	95	137	55	118
112AM0100	100	C	95	140	58	125
112AM0105	105	C	95	150	58	125
112AM0110	110	C	95	156	58	125
112AM0115	115	C	95	160	65	135
112AM0120	120	C	95	168	65	135
112AM0125	125	C	95	175	65	135



Shape A

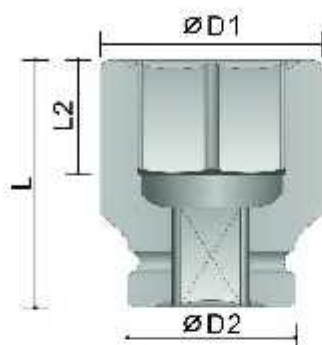


Shape B



Shape C

 **1-1/2"**



Shape A




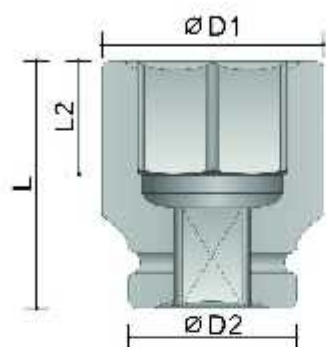
Shape B



Shape C

1-1/2" Sq.Dr., "SAE" Standard Length Impact Sockets, 6-Point

Part No.	Size (SAE)	Type				
			D2 mm	D1 mm	L2 mm	L mm
112AS0106	1-3/16"	A	86	56	23	78
112AS0108	1-1/4"	A	86	58	23	78
112AS0110	1-5/16"	A	86	60	23	78
112AS0112	1-3/8"	A	86	62	23	78
112AS0114	1-7/16"	A	86	64	23	78
112AS0116	1-1/2"	A	86	66	24	78
112AS0118	1-9/16"	A	86	68	24	78
112AS0120	1-5/8"	A	86	70	26	80
112AS0122	1-11/16"	A	86	71	26	80
112AS0124	1-3/4"	A	86	75	27	84
112AS0126	1-13/16"	A	86	76	27	84
112AS0128	1-7/8"	A	86	78	29	84
112AS0130	1-15/16"	A	86	80	29	87
112AS0200	2"	A	86	82	29	87
112AS0202	2-1/16"	A	86	83	30	87
112AS0204	2-1/8"	B	86	86	36	90
112AS0206	2-3/16"	B	86	86	36	90
112AS0208	2-1/4"	B	86	86	38	92
112AS0210	2-5/16"	C	86	92	38	92
112AS0212	2-3/8"	C	86	93	38	92
112AS0214	2-7/16"	C	86	96	40	95
112AS0216	2-1/2"	C	86	97	40	95
112AS0218	2-9/16"	C	86	97	40	95
112AS0220	2-5/8"	C	86	103	43	100
112AS0222	2-11/16"	C	86	104	43	100
112AS0224	2-3/4"	C	86	105	43	100
112AS0226	2-13/16"	C	86	108	45	103
112AS0228	2-7/8"	C	86	108	45	103
112AS0230	2-15/16"	C	86	110	45	103
112AS0300	3"	C	86	110	45	103

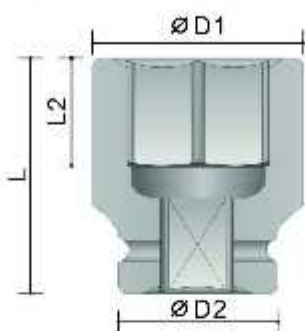


Shape C

1-1/2" Sq.Dr.,"SAE" Standard Length Impact Sockets, 6-Point

Part No.	Size (SAE)	Type				
			D2 mm	D1 mm	L2 mm	L mm
112AS0302	3-1/16"	C	86	115	50	110
112AS0304	3-1/8"	C	86	116	50	110
112AS0306	3-3/16"	C	86	125	50	110
112AS0308	3-1/4"	C	86	125	50	110
112AS0310	3-5/16"	C	86	125	55	118
112AS0312	3-3/8"	C	86	125	55	118
112AS0314	3-7/16"	C	86	128	55	118
112AS0316	3-1/2"	C	86	130	55	118
112AS0318	3-9/16"	C	86	130	55	118
112AS0320	3-5/8"	C	86	130	55	118
112AS0322	3-11/16"	C	86	130	55	118
112AS0324	3-3/4"	C	95	137	55	118
112AS0326	3-13/16"	C	95	140	58	125
112AS0328	3-7/8"	C	95	140	58	125
112AS0330	3-15/16"	C	95	140	58	125
112AS0400	4"	C	95	140	58	125
112AS0402	4-1/16"	C	95	146	58	125
112AS0404	4-1/8"	C	95	150	58	125
112AS0406	4-3/16"	C	95	150	58	125
112AS0408	4-1/4"	C	95	150	58	125
112AS0410	4-5/16"	C	95	156	58	125
112AS0412	4-3/8"	C	95	160	58	125
112AS0414	4-7/16"	C	95	160	58	125
112AS0416	4-1/2"	C	95	160	65	135
112AS0420	4-5/8"	C	95	165	65	135
112AS0424	4-3/4"	C	95	168	65	135

 **1-1/2"**



Shape A




Shape B




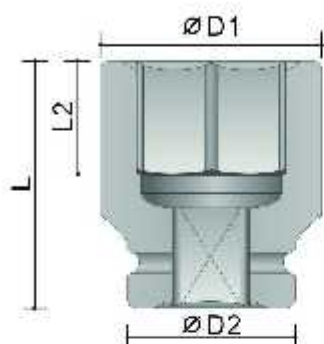
Shape C

1-1/2" Sq.Dr.,"METRIC" Deep Length Impact Sockets, 6-Point

Part No.	Size (mm)	Type				
			D2 mm	D1 mm	L2 mm	L mm
112AM2041	41	A	86	72	30	115
112AM2042	42	A	86	72	32	115
112AM2046	46	A	86	78	34	115
112AM2050	50	A	86	81	36	135
112AM2054	54	B	86	86	39	140
112AM2055	55	B	86	86	39	140
112AM2060	60	C	86	94	41	150
112AM2063	63	C	86	97	43	150
112AM2065	65	C	86	100	45	150
112AM2070	70	C	86	106	47	160
112AM2075	75	C	86	112	51	170
112AM2077	77	C	86	115	51	170
112AM2080	80	C	86	118	51	170
112AM2085	85	C	86	125	56	170

1-1/2" Sq.Dr.,"SAE" Deep Length Impact Sockets, 6-Point

Part No.	Size (SAE)	Type				
			D2 mm	D1 mm	L2 mm	L mm
112AS2120	1-5/8"	A	86	72	30	115
112AS2122	1-11/16"	A	86	74	34	115
112AS2124	1-3/4"	A	86	75	34	115
112AS2126	1-13/16"	A	86	78	34	115
112AS2128	1-7/8"	A	86	80	36	115
112AS2130	1-15/16"	A	86	81	36	115
112AS2200	2"	A	86	83	36	135
112AS2202	2-1/16"	A	86	84	39	140
112AS2204	2-1/8"	B	86	86	39	140
112AS2206	2-3/16"	C	86	88	39	140
112AS2208	2-1/4"	C	86	90	41	150
112AS2210	2-5/16"	C	86	92	41	150
112AS2212	2-3/8"	C	86	94	43	150
112AS2214	2-7/16"	C	86	96	43	150
112AS2216	2-1/2"	C	86	98	43	150
112AS2218	2-9/16"	C	86	100	45	150
112AS2220	2-5/8"	C	86	102	47	150
112AS2222	2-11/16"	C	86	104	47	150
112AS2224	2-3/4"	C	86	106	47	160
112AS2226	2-13/16"	C	86	108	49	160
112AS2228	2-7/8"	C	86	109	49	160
112AS2230	2-15/16"	C	86	112	51	170




2-1/2" Sq.Dr., "METRIC" Standard Length Impact Sockets, 6-Point



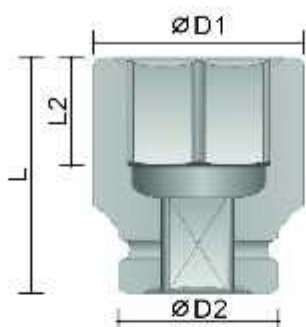
Shape A



Shape B

Part No.	Size (mm)	Type				
			D2 mm	D1 mm	L2 mm	L mm
212AM1075	75	A	127	118	46	140
212AM1077	77	A	127	122	48	140
212AM1080	80	A	127	124	51	140
212AM1085	85	B	127	130	51	140
212AM1090	90	B	127	136	54	145
212AM1095	95	B	127	143	54	145
212AM1100	100	B	127	149	57	150
212AM1105	105	B	127	155	61	155
212AM1110	110	B	127	161	64	160
212AM1115	115	B	127	167	67	165
212AM1120	120	B	127	176	71	170
212AM1125	125	B	127	181	75	175
212AM1130	130	B	127	188	75	175
212AM1135	135	B	127	195	79	180
212AM1140	140	B	127	202	79	180
212AM1145	145	B	127	208	83	185
212AM1150	150	B	127	215	87	185
212AM1155	155	B	127	223	91	190
212AM1160	160	B	127	227	91	190
212AM1165	165	B	127	235	95	195
212AM1170	170	B	127	241	100	195
212AM1175	175	B	127	248	105	200
212AM1180	180	B	127	254	105	200
212AM1185	185	B	152	258	110	210
212AM1190	190	B	152	265	110	210
212AM1200	200	B	152	275	115	220

 **2-1/2"**



Shape A





Shape B

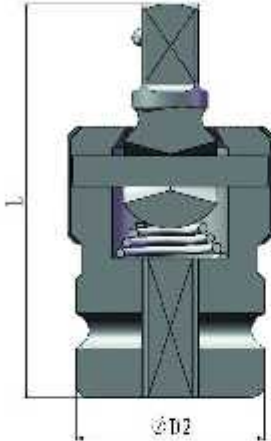


Shape C

2-1/2" Sq.Dr., "SAE" Standard Length Impact Sockets, 6-Point

Part No.	Size (SAE)	Type				
			D2 mm	D1 mm	L2 mm	L mm
212AS1300	3"	A	127	120	46	140
212AS1304	3-1/8"	A	127	124	51	140
212AS1308	3-1/4"	B	127	127	51	140
212AS1312	3-3/8"	C	127	131	51	140
212AS1316	3-1/2"	C	127	135	51	140
212AS1320	3-5/8"	C	127	139	54	145
212AS1324	3-3/4"	C	127	143	54	145
212AS1328	3-7/8"	C	127	147	57	150
212AS1400	4"	C	127	151	57	150
212AS1404	4-1/8"	C	127	155	61	155
212AS1408	4-1/4"	C	127	159	64	160
212AS1412	4-3/4"	C	127	163	67	165
212AS1416	4-1/2"	C	127	167	67	165
212AS1420	4-5/8"	C	127	172	71	170
212AS1424	4-3/4"	C	127	176	71	170
212AS1428	4-7/8"	C	127	181	75	175
212AS1500	5"	C	127	185	75	175
212AS1504	5-1/8"	C	127	188	75	175
212AS1508	5-1/4"	C	127	193	75	175
212AS1512	5-3/8"	C	127	197	79	180
212AS1516	5-1/2"	C	127	202	79	180
212AS1520	5-5/8"	C	127	206	83	185
212AS1524	5-3/4"	C	127	210	83	185
212AS1528	5-7/8"	C	127	215	87	185
212AS1600	6"	C	127	218	87	185
212AS1604	6-1/8"	C	127	223	91	190
212AS1608	6-1/4"	C	127	227	91	190
212AS1612	6-3/8"	C	127	231	95	195
212AS1616	6-1/2"	C	127	235	95	195
212AS1620	6-5/8"	C	127	240	100	195
212AS1624	6-3/4"	C	127	244	100	195
212AS1628	6-7/8"	C	127	248	105	200
212AS1700	7"	C	127	252	105	200
212AS1716	7-1/2"	C	152	265	110	210
212AS1720	7-5/8"	C	152	268	110	210
212AS1728	7-7/8"	C	152	275	115	220
212AS1800	8"	C	152	278	115	220

 1/4"~1-1/2"



Impact Universal Joints

Part No.			D2 mm	L mm
	Size (SAE)	Size (SAE)		
14US1008	1/4"	1/4"	16	43
38US1012	3/8"	3/8"	24	50
12US1016	1/2"	1/2"	32	60
12USD016	1/2"	1/2"	28	60



14US2008	1/4"	1/4"	16	43
38US2012	3/8"	3/8"	24	50
12US2016	1/2"	1/2"	32	60
12USE016	1/2"	1/2"	28	60



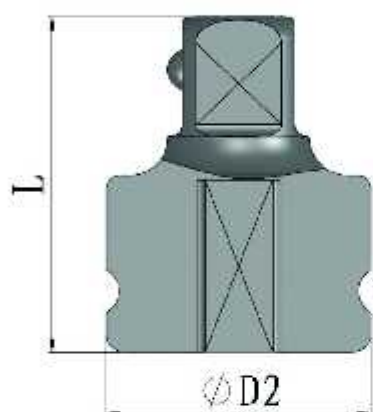
34USA024	3/4"	3/4"	44	90
34US1024	3/4"	3/4"	44	105
1US1100	1"	1"	54	133
112US1116	1-1/2"	1-1/2"	86	182

34US2024	3/4"	3/4"	44	105
1US2100	1"	1"	54	133
112US2116	1-1/2"	1-1/2"	86	182
212US2216	2-1/2"	2-1/2"	152	248

Industrial Pneumatic Socket



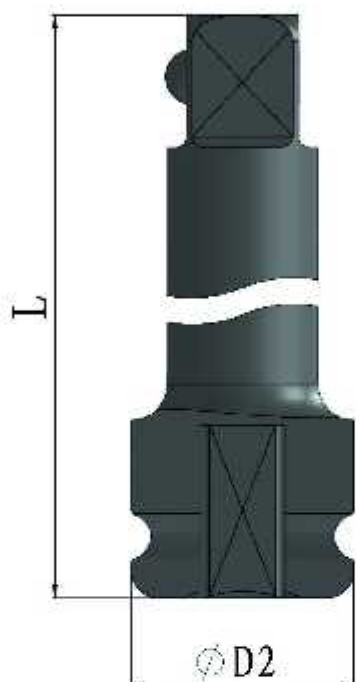
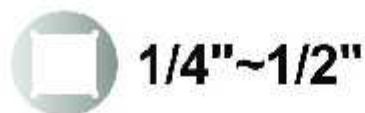
1/4"~2-1/2"



Impact Adapters

Part No.	Size (SAE)		D2	L
	Size (SAE)	Size (SAE)	mm	mm
14VS1012	1/4"	3/8"	13.6	26
38VS1008☆	3/8"	1/4"	22	32
38VS1016	3/8"	1/2"	22	36
12VS1012☆	1/2"	3/8"	25	38
12VSA012☆	1/2"	3/8"	25	460
12VSE012☆	1/2"	3/8"	25	610
12VSK012☆	1/2"	3/8"	25	915
12VS1024	1/2"	3/4"	30	48

34VS1016 ☆	3/4"	1/2"	44	56
34VS1100	3/4"	1"	44	63
1VS1024 ☆	1"	3/4"	54	75
1VS1116	1"	1-1/2"	54	90
112VS1100 ☆	1-1/2"	1"	86	100

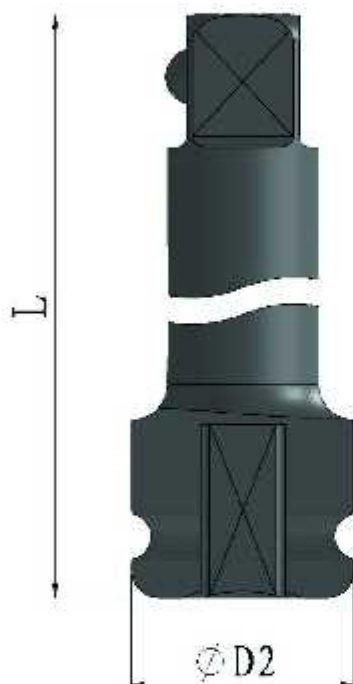


Impact Extension Bars

Part No.	Size (SAE)		D2	L
	1/4"	1/4"	mm	mm
14HS1050	1/4"	1/4"	13	50
14HS1100	1/4"	1/4"	13	100
14HS1150	1/4"	1/4"	13	150

Part No.	Size (SAE)		D2	L
	3/8"	3/8"	mm	mm
38HS1075	3/8"	3/8"	19	75
38HS1100	3/8"	3/8"	19	100
38HS1150	3/8"	3/8"	19	150
38HS1200	3/8"	3/8"	19	200

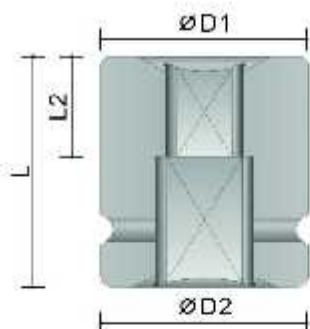
Part No.	Size (SAE)		D2	L
	1/2"	1/2"	mm	mm
12HS1075	1/2"	1/2"	25	75
12HS1100	1/2"	1/2"	25	100
12HS1125	1/2"	1/2"	25	125
12HS1150	1/2"	1/2"	25	150
12HS1200	1/2"	1/2"	25	200
12HS1250	1/2"	1/2"	25	250
12HS1610	1/2"	1/2"	25	610



Impact Extension Bars

Part No.			D2 mm	L mm
	Size (SAE)	Size (SAE)		
34HS1100	3/4"	3/4"	44	100
34HS1150	3/4"	3/4"	44	150
34HS1200	3/4"	3/4"	44	200
34HS1250	3/4"	3/4"	44	250
34HS1330	3/4"	3/4"	44	330

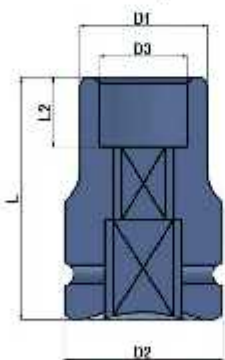
1HS1150	1"	1"	54	150
1HS1200	1"	1"	54	200
1HS1300	1"	1"	54	300



Shape A



Shape B



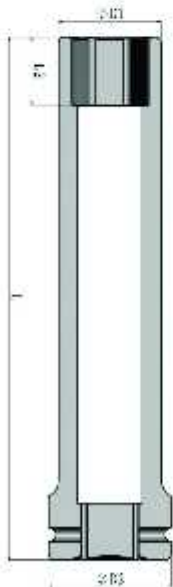
Shape C

Budd Wheel Impact Sockets, 4-Point, Standard Length

Part No.	Drive	Size (SAE)	Type				
				D2 mm	D1 mm	L2 mm	L mm
34IS0026	3/4"	13/16"	A	42	42	22	52
34IS0030	3/4"	15/16"	A	44	44	22	52
1IS0026	1"	13/16"	A	52	52	24	57
1IS0030	1"	15/16"	A	52	52	24	57
1JS0026	1"	13/16"	B	52	44	24	57
	Drive	Size (mm)	Type	mm	mm	mm	mm
34IM5016	3/4"	16	A	40	40	22	52
34IM5017	3/4"	17	A	40	40	22	52
34IM5019	3/4"	19	A	40	40	22	52
34IM5020	3/4"	20	A	42	42	22	52
34IM5021	3/4"	21	A	42	42	22	52
1IM5017	1"	17	A	52	52	24	57
1IM5019	1"	19	A	52	52	24	57
1IM5020	1"	20	A	52	52	24	57
1IM5021	1"	21	A	52	52	24	57
1JM5017	1"	17	B	52	40	24	57
1JM5019	1"	19	B	52	43	24	57
1JM5020	1"	20	B	52	44	24	57
1JM5021	1"	21	B	52	44	24	57

Budd Wheel Impact Sockets, 4-Point, Deep Length

Part No.	Drive	Size (mm)	Type					
				D3 mm	D2 mm	D1 mm	L2 mm	L mm
1JM6170	1"	17	C	27	52	40	16	76
1JM6175	1"	17.5	C	28	52	40	16	76
1JM6190	1"	19	C	29	52	43	16	76
1JM6195	1"	19.5	C	30	52	43	16	76
1JM6200	1"	20	C	31	52	44	16	76
1JM6210	1"	21	C	32	52	44	16	76
1JM6215	1"	21.5	C	33	52	44	16	76

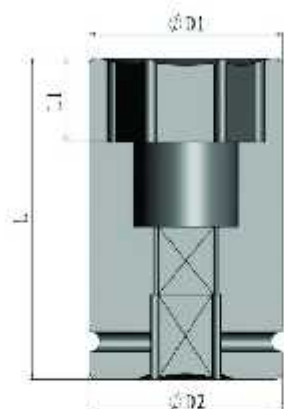


1" Sq. Dr., Extra Long Impact Sockets For Wheel Nuts

Part NO.	Drive End	D2	D1	L2	L
		mm	mm	mm	mm
1RM9024	24mm	54	42	24	270
1RM9026	26mm	54	44	26	270
1RM9027	27mm	54	45	27	270
1RM9030	30mm	54	50	30	270
1RM9032	32mm	54	52	32	270
1RM9033	33mm	54	52	32	270



3/4" & 1"



Shape A



Shape B



Shape C

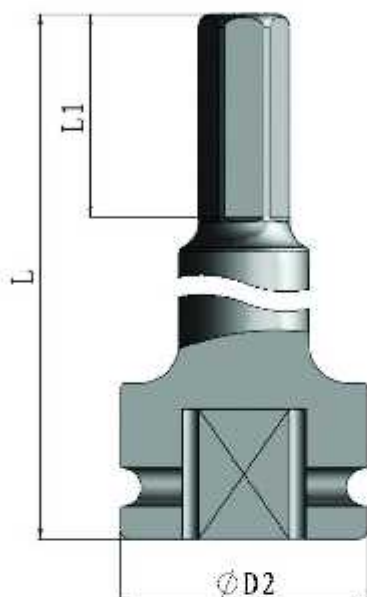
3/4" Sq. Dr., Combination Budd Wheel Impact Sockets

Part No.	Size (mm)	Size (mm)	Type				
				D2	D1	L2	L
	mm	mm		mm	mm	mm	mm
34NM0035	35	17	B	52	54	13	90
34NM0041	41	21	B	54	58	14	95

1" Sq. Dr., Combination Budd Wheel Impact Sockets

Part No.	Size (mm)	Size (mm)	Type				
				D2	D1	L2	L
	mm	mm		mm	mm	mm	mm
1NM0035	35	17	B	52	54	13	94
1NM0038	38	19	B	54	56	14	94
1NM1038	38	20	B	54	56	14	96
1OMF041	41	21	B	54	68	14	99
1OM0035	35	17	C	52	54	13	94

 3/8"



3/8" Sq. Dr., "METRIC" Impact Hex Driver Sockets

Part NO.		D2	L1	L
	mm	mm	mm	mm
38DM5003	3	19	16	50
38DM5004	4	19	16	50
38DM5005	5	19	16	50
38DM5006	6	19	16	50
38DM5007	7	19	16	50
38DM5008	8	19	16	50
38DM5009	9	19	16	50
38DM5010	10	19	16	50
38DM5011	11	19	16	50
38DM5012	12	19	16	50
38DM5013	13	19	16	50
38DM5014	14	19	16	50
38DM5015	15	19	16	50
38DM5016	16	19	16	50

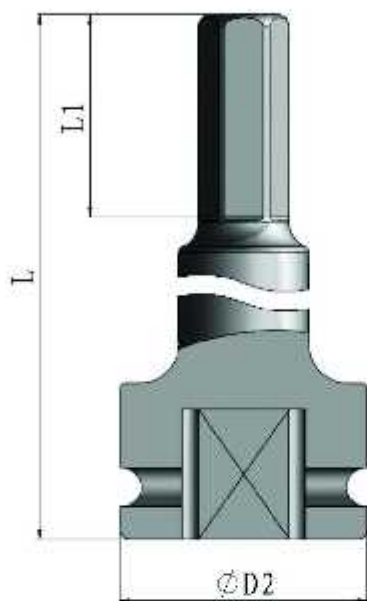


3/8" Sq. Dr., "SAE" Impact Hex Driver Sockets

Part NO.		D2	L1	L
	Type	mm	mm	mm
38DS0006	3/16"	19	16	50
38DS0007	7/32"	19	16	50
38DS0008	1/4"	19	16	50
38DS0009	9/32"	19	16	50
38DS0010	5/16"	19	16	50
38DS0012	3/8"	19	16	50
38DS0014	7/16"	19	16	50
38DS0016	1/2"	19	16	50
38DS0018	9/16"	19	16	50
38DS0020	5/8"	19	16	50



1/2"



1/2" Sq. Dr., "METRIC" Impact Hex Driver Sockets

Part NO.		D2	L1	L
	mm	mm	mm	mm
12DM6004	4	25	20	75
12DM6005	5	25	20	75
12DM6006	6	25	20	75
12DM6007	7	25	20	75
12DM6008	8	25	25	75
12DM6009	9	25	25	75
12DM6010	10	25	25	75
12DM6011	11	25	25	75
12DM6012	12	25	25	75
12DM6013	13	25	25	75
12DM6014	14	25	25	75
12DM6015	15	25	25	75
12DM6016	16	25	25	75
12DM6017	17	25	25	75
12DM6018	18	25	25	75
12DM6019	19	25	25	75

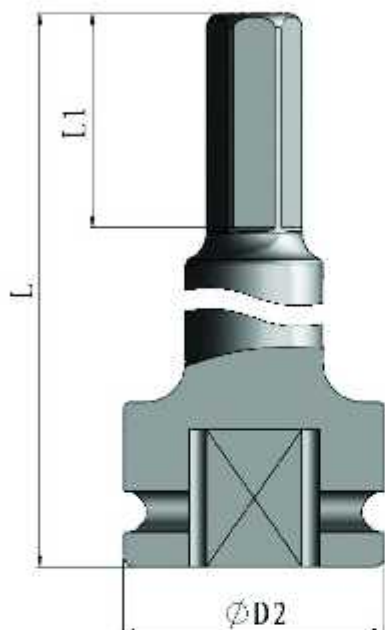


1/2" Sq. Dr., "SAE" Impact Hex Driver Sockets

Part NO.		D2	L1	L
	Size (SAE)	mm	mm	mm
12DS1006	3/16"	25	20	75
12DS1007	7/32"	25	20	75
12DS1008	1/4"	25	20	75
12DS1009	9/32"	25	20	75
12DS1010	5/16"	25	25	75
12DS1012	3/8"	25	25	75
12DS1014	7/16"	25	25	75
12DS1016	1/2"	25	25	75
12DS1018	9/16"	25	25	75
12DS1020	5/8"	25	25	75
12DS1022	11/16"	25	25	75
12DS1024	3/4"	25	25	75



3/4"



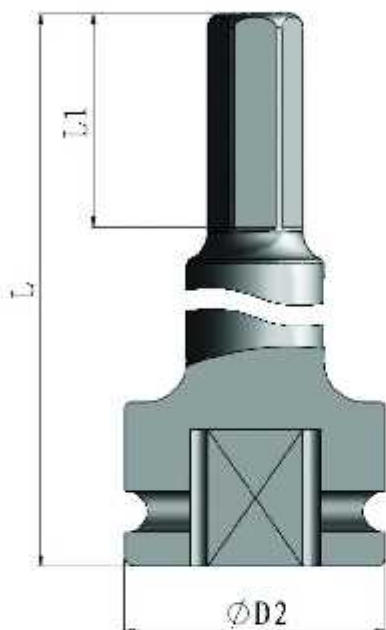
3/4" Sq. Dr., "METRIC" Impact Hex Driver Sockets

Part NO.	mm	D2 mm	L1 mm	L mm
34DM6010	10	44	20	100
34DM6012	12	44	20	100
34DM6014	14	44	20	100
34DM6017	17	44	20	100
34DM6019	19	44	20	100
34DM6022	22	44	20	100
34DM6024	24	44	20	100
34DM6027	27	44	20	100



3/4" Sq. Dr., "SAE" Impact Hex Driver Sockets

Part NO.	Size (SAE)	D2 mm	L1 mm	L mm
34DS1012	3/8"	44	20	100
34DS1014	7/16"	44	20	100
34DS1016	1/2"	44	20	100
34DS1018	9/16"	44	20	100
34DS1020	5/8"	44	20	100
34DS1024	3/4"	44	20	100
34DS1026	13/16"	44	20	100
34DS1028	7/8"	44	20	100
34DS1100	1"	44	20	100



1" Sq. Dr., "METRIC" Impact Hex Driver Sockets

Part NO.				
	mm	D2 mm	L1 mm	L mm
1DM6010	10	54	20	100
1DM6012	12	54	20	100
1DM6014	14	54	20	100
1DM6017	17	54	20	100
1DM6019	19	54	20	100
1DM6022	22	54	20	100
1DM6024	24	54	20	100
1DM6027	27	54	20	100



1" Sq. Dr., "SAE" Impact Hex Driver Sockets

Part NO.				
	Size (SAE)	D2 mm	L1 mm	L mm
1DS1016	1/2"	54	20	100
1DS1018	9/16"	54	20	100
1DS1020	5/8"	54	20	100
1DS1024	3/4"	54	20	100
1DS1026	13/16"	54	20	100
1DS1028	7/8"	54	20	100
1DS1100	1"	54	20	100


1/2"



1/2" Sq. Dr., Internal Torx® Impact Sockets

Part NO.	A	D2 mm	L1 mm	L mm
12TM1020	T20	25	30	55
12TM1025	T25	25	30	55
12TM1027	T27	25	30	55
12TM1030	T30	25	30	55
12TM1040	T40	25	30	55
12TM1045	T45	25	30	55
12TM1047	T47	25	30	55
12TM1050	T50	25	30	55
12TM1055	T55	25	30	55
12TM1060	T60	25	30	55
12TM1070	T70	25	30	55
12TM2020	T20	25	50	75
12TM2025	T25	25	50	75
12TM2027	T27	25	50	75
12TM2030	T30	25	50	75
12TM2040	T40	25	50	75
12TM2045	T45	25	50	75
12TM2047	T47	25	50	75
12TM2050	T50	25	50	75
12TM2055	T55	25	50	75
12TM2060	T60	25	50	75
12TM2070	T70	25	50	75

Industrial Pneumatic Socket

 1/4" & 3/8"




1/4" Sq. Dr., Internal Torx® Impact Sockets

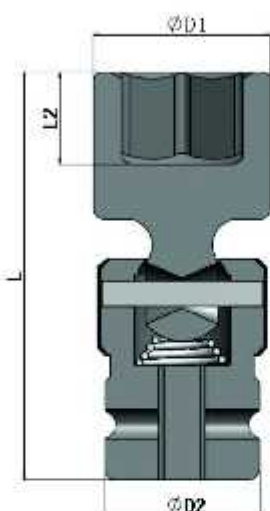
Part NO.	A	 D2	L1	L
		mm	mm	mm
14TM1005	T 5	13	21	35
14TM1006	T 6	13	21	35
14TM1007	T 7	13	21	35
14TM1008	T 8	13	21	35
14TM1009	T 9	13	21	35
14TM1010	T10	13	21	35
14TM1015	T15	13	21	35
14TM1020	T20	13	21	35
14TM1025	T25	13	21	35
14TM1027	T27	13	21	35
14TM1030	T30	13	21	35



3/8" Sq. Dr., Internal Torx® Impact Sockets

Part NO.	A	 D2	L1	L
		mm	mm	mm
38TM1009	T9	19	31	50
38TM1010	T10	19	31	50
38TM1015	T15	19	31	50
38TM1020	T20	19	31	50
38TM1025	T25	19	31	50
38TM1027	T27	19	31	50
38TM1030	T30	19	31	50
38TM1040	T40	19	31	50
38TM1045	T45	19	31	50
38TM1047	T47	19	31	50
38TM1050	T50	19	31	50

 1/2"



1/2" Sq. Dr., "SAE" Universal Impact Hex Driver Sockets

Part No.	Size (SAE)	D2 mm	D1 mm	L2 mm	L mm
12SS0008	1/4"	28	14	15	75
12SS0009	9/32"	28	14	15	75
12SS0010	5/16"	28	15	20	75
12SS0012	3/8"	28	15	20	75
12SS0014	7/16"	28	17	20	75
12SS0016	1/2"	28	19	20	75
12SS0018	9/16"	28	22	20	75
12SS0020	5/8"	28	23	20	75
12SS0022	11/16"	28	26	20	75
12SS0024	3/4"	28	28	20	75
12SS0026	13/16"	32	30	20	75
12SS0028	7/8"	32	32	20	75
12SS0030	15/16"	32	34	20	75

1/2" Sq. Dr., "METRIC" Universal Impact Hex Driver Sockets

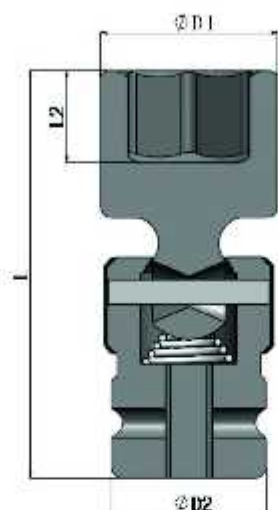


Part No.	mm	D2 mm	D1 mm	L2 mm	L mm
12SM0006	6	28	13	15	75
12SM0007	7	28	14	15	75
12SM0008	8	28	14	20	75
12SM0009	9	28	15	20	75
12SM0010	10	28	15	20	75
12SM0011	11	28	17	20	75
12SM0012	12	28	19	20	75
12SM0013	13	28	20	20	75
12SM0014	14	28	22	20	75
12SM0015	15	28	23	20	75
12SM0016	16	28	23	20	75
12SM0017	17	28	26	20	75
12SM0018	18	28	26	20	75
12SM0019	19	28	28	20	75
12SM0020	20	32	30	20	75
12SM0021	21	32	30	20	75
12SM0022	22	32	32	20	75
12SM0023	23	32	32	20	75
12SM0024	24	32	34	20	75



3/8"

3/8" Sq. Dr., "SAE" Universal Impact Hex Driver Sockets



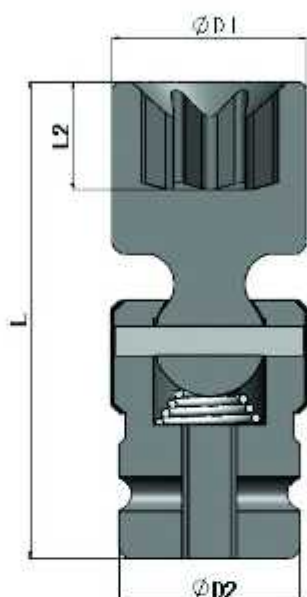
Part No.	Size (SAE)	D2 mm	D1 mm	L2 mm	L mm
38SS0006	3/16"	24	13	11	60
38SS0007	7/32"	24	13	11	60
38SS0008	1/4"	24	14	11	60
38SS0009	9/32"	24	14	15	60
38SS0010	5/16"	24	15	15	60
38SS0012	3/8"	24	15	15	60
38SS0014	7/16"	24	17	15	60
38SS0016	1/2"	24	19	15	60
38SS0018	9/16"	24	22	15	60
38SS0020	5/8"	24	23	15	60
38SS0022	11/16"	32	26	15	60
38SS0024	3/4"	32	28	15	60
38SS0026	13/16"	32	30	15	60
38SS0028	7/8"	32	32	15	60
38SS0030	15/16"	32	34	15	60

3/8" Sq. Dr., "METRIC" Universal Impact Hex Driver Sockets



Part No.	mm	D2 mm	D1 mm	L2 mm	L mm
38SM0005	5	24	13	11	60
38SM0006	6	24	13	11	60
38SM0007	7	24	14	15	60
38SM0008	8	24	14	15	60
38SM0009	9	24	15	15	60
38SM0010	10	24	15	15	60
38SM0011	11	24	17	15	60
38SM0012	12	24	19	15	60
38SM0013	13	24	20	15	60
38SM0014	14	24	22	15	60
38SM0015	15	24	23	15	60
38SM0016	16	24	23	15	60
38SM0017	17	32	26	15	60
38SM0018	18	32	26	15	60
38SM0019	19	32	28	15	60
38SM0020	20	32	30	15	60
38SM0021	21	32	30	15	60
38SM0022	22	32	32	15	60
38SM0023	23	32	32	15	60
38SM0024	24	32	34	15	60

3/8" & 1/2"



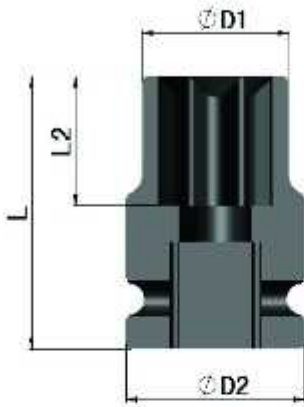
3/8" Sq. Dr., Torx® Universal Impact Sockets

Part NO.	Size (SAE)	A	 	D2	L
			mm	mm	
38SS0020	3/8"	T20	24	60	
38SS0025	3/8"	T25	24	60	
38SS0027	3/8"	T27	24	60	
38SS0030	3/8"	T30	24	60	
38SS0040	3/8"	T40	24	60	
38SS0045	3/8"	T45	24	60	
38SS0047	3/8"	T47	24	60	
38SS0050	3/8"	T50	24	60	
38SS0055	3/8"	T55	24	60	

1/2" Sq. Dr., Torx® Universal Impact Sockets

Part NO.	Size (SAE)	A	 	D2	L
			mm	mm	
38SS1025	1/2"	T25	28	70	
38SS1027	1/2"	T27	28	70	
38SS1030	1/2"	T30	28	70	
38SS1040	1/2"	T40	28	70	
38SS1045	1/2"	T45	28	70	
38SS1047	1/2"	T47	28	70	
38SS1050	1/2"	T50	28	70	
38SS1055	1/2"	T55	28	70	
38SS1060	1/2"	T60	28	70	





1/4" Sq. Dr., Thin Wall External Torx® Impact Sockets Standard

Part NO.		Type	D2 mm	L2 mm	L mm
14EM5004	E4	A	13	6.5	25
14EM5005	E5	A	13	7.5	25
14EM5006	E6	A	13	8.5	25
14EM5007	E7	A	13	9	25
14EM5008	E8	A	13	9.8	25
14EM5010	E10	A	13	12	25
14EM5011	E11	A	13	12.7	25
14EM5012	E12	A	14.5	14	25



Shape A

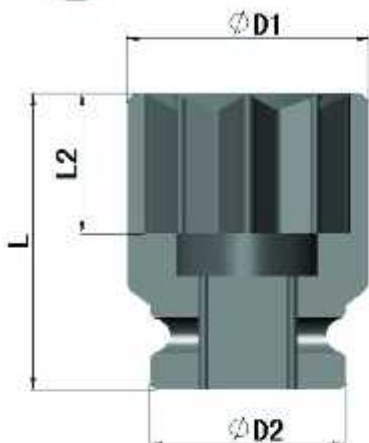
3/8" Sq. Dr., Thin Wall External Torx® Impact Sockets Standard

38EM5005	E5	A	19	8	32
38EM5006	E6	A	19	9	32
38EM5007	E7	A	19	9.3	32
38EM5008	E8	A	19	10	32
38EM5010	E10	A	19	12.3	32
38EM5011	E11	A	19	13	32
38EM5012	E12	A	19	14	32
38EM5014	E14	A	19	16.5	32
38EM5016	E16	A	19	18.4	32

1/2" Sq. Dr., Thin Wall External Torx® Impact Sockets Standard

12EM5010	E10	A	25	13	38
12EM5011	E11	A	25	14	38
12EM5012	E12	A	25	15	38
12EM5014	E14	A	25	17	38
12EM5016	E16	A	25	18.5	38
12EM5018	E18	A	25	20.5	38
12EM5020	E20	A	30	22.5	38
12EM5022	E22	A	30	24.5	45
12EM5024	E24	A	30	26.5	45

 **3/4"**




Shape A



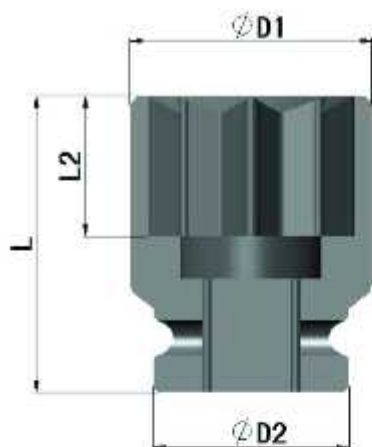
Shape B

3/4" Sq.Dr., "SAE" Double Square(8-Point) Impact Sockets Standard Length

Part NO.	Size (SAE)	Type				
			D2 mm	D1 mm	L2 mm	L mm
34FS0024	3/4"	A	41	41	15	52
34FS0026	13/16"	A	42	42	20	52
34FS0028	7/8"	A	44.5	44.5	20	52
34FS0030	15/16"	B	44.5	46	20	52
34FS0100	1"	B	44.5	51	22	54
34FS0102	1-1/16"	B	44.5	53	24	56
34FS0104	1-1/8"	B	44.5	58	26	58
34FS0106	1-3/16"	B	44.5	60	28	60
34FS0108	1-1/4"	B	44.5	60	28	60
34FS0110	1-5/16"	B	44.5	63.5	30	62
34FS0114	1-7/16"	B	44.5	67	32	64
34FS0116	1-1/2"	B	44.5	70	32	64

3/4" Sq.Dr., "METRIC" Double Square(8-Point) Impact Sockets Standard Length

Part NO.	mm	Type				
			D2 mm	D1 mm	L2 mm	L mm
34FM5019	19	A	41	41	15	52
34FM5024	24	B	44.5	46	20	52
34FM5027	27	B	44.5	53	24	56
34FM5030	30	B	44.5	60	28	60
34FM5032	32	B	44.5	60	28	60
34FM5038	38	B	44.5	70	32	64



Shape A



Shape B



Shape C

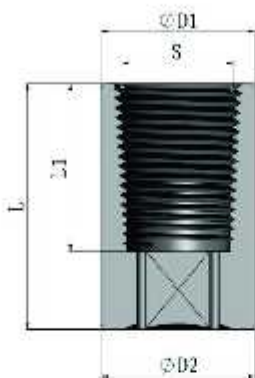
1" Sq.Dr., "SAE" Double Square(8-Point) Impact Sockets Standard Length

Part NO.	Size (SAE)	Type	1" Sq.Dr.			
			D2 mm	D1 mm	D2 mm	L mm
1FS0024	3/4"	A	54	47	16	58
1FS0026	13/16"	A	54	48.5	16	58
1FS0028	7/8"	A	54	51	16	58
1FS0030	15/16"	A	54	52	16	58
1FS0100	1"	B	54	54	16	58
1FS0102	1-1/16"	C	54	58	30	68
1FS0104	1-1/8"	C	54	58	30	68
1FS0106	1-3/16"	C	54	61	32	70
1FS0108	1-1/4"	C	54	61	32	70
1FS0110	1-5/16"	C	54	65	32	70
1FS0112	1-3/8"	C	58	66.5	32	70
1FS0114	1-7/16"	C	58	68	32	70
1FS2116	1-1/2"	C	58	73	32	70
1FS0120	1-5/8"	C	58	78	38	76
1FS0122	1-11/16"	C	62	84	40	78
1FS0124	1-3/4"	C	62	84	40	78
1FS0126	1-13/16"	C	62	86	42	80
1FS0128	1-7/8"	C	62	88	47	85
1FS0200	2"	C	62	92	47	85

1" Sq.Dr., "METRIC" Double Square(8-Point) Impact Sockets Standard Length

Part NO.	mm	Type	1" Sq.Dr.			
			D2 mm	D1 mm	L2 mm	L mm
1FM5019	19	A	54	47	16	58
1FM5024	24	A	54	52	16	58
1FM5027	27	C	54	58	30	68
1FM5030	30	C	54	61	32	70
1FM5032	32	C	54	61	32	70
1FM5035	35	C	58	66.5	32	70
1FM5038	38	C	58	73	32	70
1FM5046	46	C	62	86	42	80

 1/2"



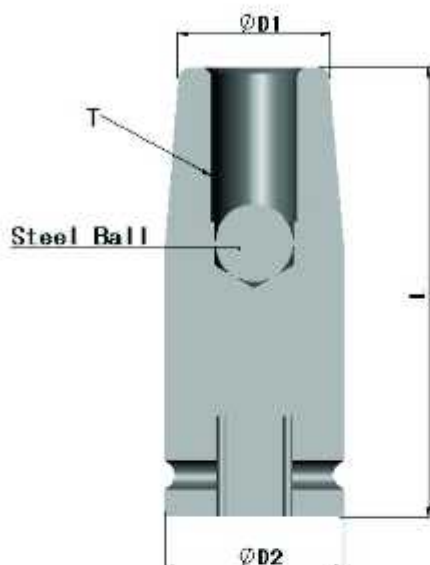
1/2" Sq. Dr., Wheel Lug Nut Remover Sockets Standard Length

Part NO.	S	D2	D1	L1	L
		mm	mm	mm	mm
12GM2090	17	24	24	17	38
12GM2091	18.5	25	25	17	38
12GM2092	20	26	26	22	38
12GM2093	21.5	28.5	28.5	22	38
12GM2094	23	30	30	22	38
12GM2095	24.5	31	31	22	38
12GM2096	26	32	32	22	38



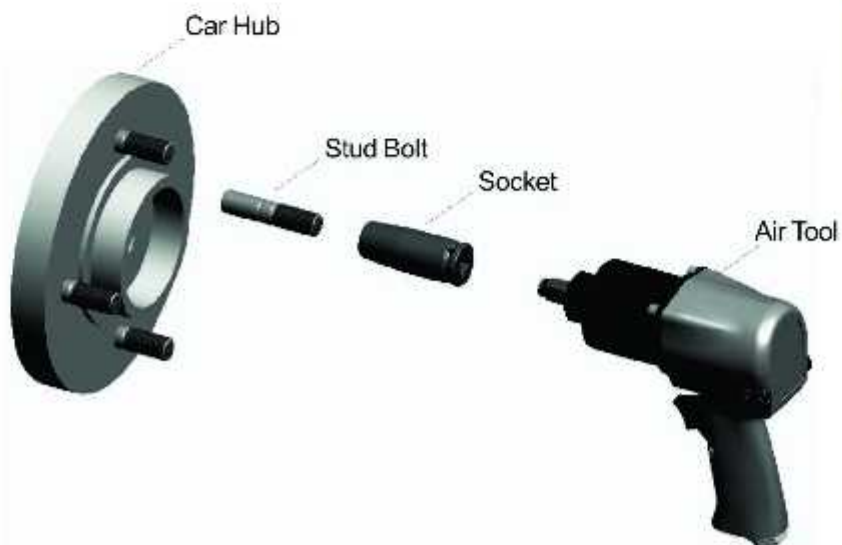


3/8"



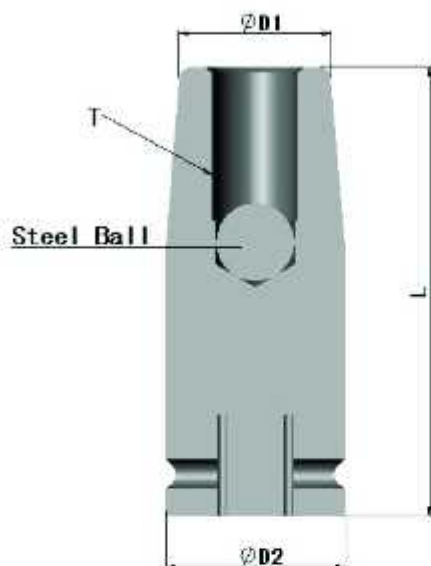
3/8" Sq. Dr., Stud Bolt Impact Sockets Standard Length

Part NO.	Thread size	Type	T		
			D2	D1	L
			mm	mm	mm
38GM1005	M5 × P 0.8	A	19	12	50
38GM1010	M6 × P 1.0	A	19	12.5	50
38GM1015	M7 × P 1.0	A	19	13	50
38GM1018	M8 × P 1.25	A	19	14.5	50
38GM1021	M10 × P 1.25	A	19	18	50
38GM1022	M10 × P 1.5	A	19	17	50



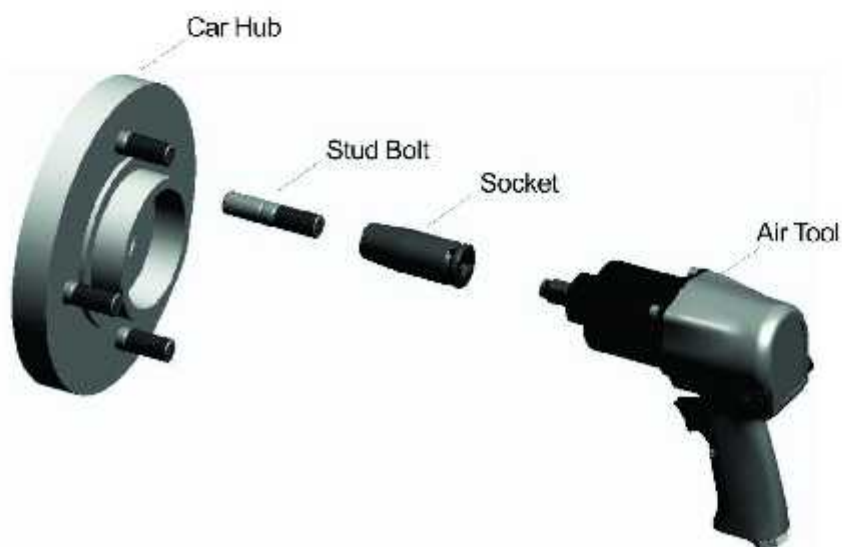
Industrial Pneumatic Socket

 1/2"



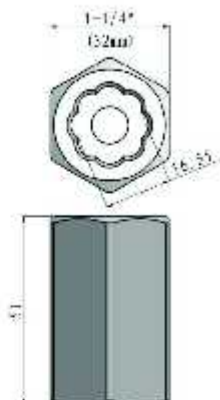
1/2" Sq.Dr., Stud Bolt Impact Sockets Standard Length

Part NO.	T		D2 mm	D1 mm	L mm
	Thread size	Type			
12PM2010	M6 × P1.0	A	25	13	75
12PM2015	M7 × P1.0	A	25	14	75
12PM2018	M8 × P1.25	A	25	15	75
12PM2021	M10 × P1.25	A	25	16	75
12PM2022	M10 × P1.5	A	25	17	75
12PM2025	M12 × P1.25	A	25	21	75
12PM2026	M12 × P1.5	A	25	20	75
12PM2027	M12 × P1.75	A	25	19	75
12PM2030	M14 × P1.5	A	25	23	75
12PM2031	M14 × P2.0	A	25	22	75
12PM2034	M16 × P1.5	A	30	28	75
12PM2035	M16 × P2.0	A	30	27	75
12PM2038	M18 × P2.5	A	30	29	75
12PM2041	M20 × P2.5	B	30	30	75
12PM2050	5/8" - 11UNC	A	30	27	75
12PM2058	3/4" - 10UNC	B	30	30	75





Part NO..WW5050



Part NO..WW6050



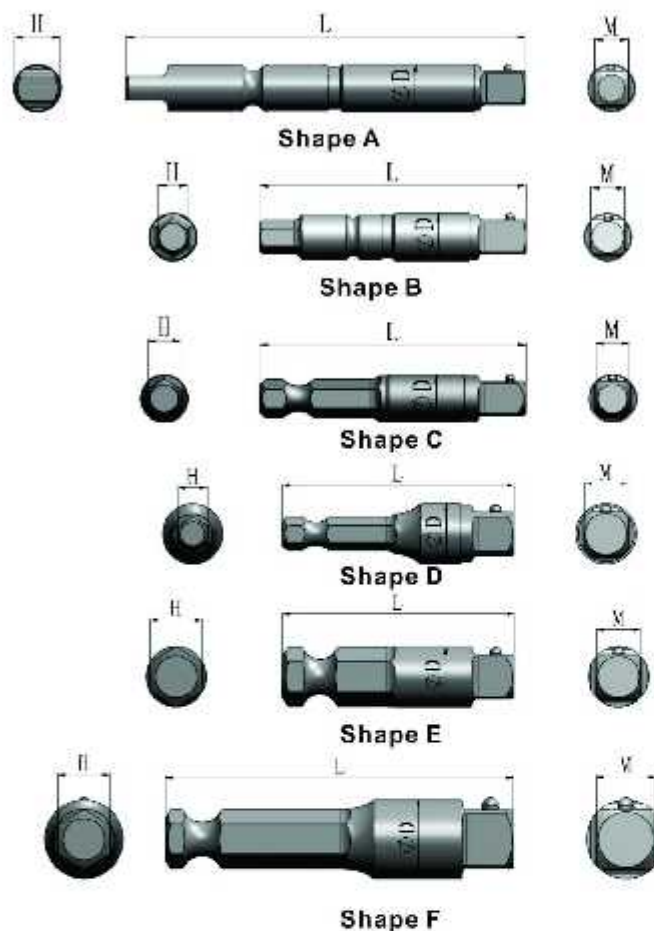
Broken Nut & Wheel Stud Removal Tools

Part NO.
WW5050
WW6050





1/4"-1/2"



Impact Adapters

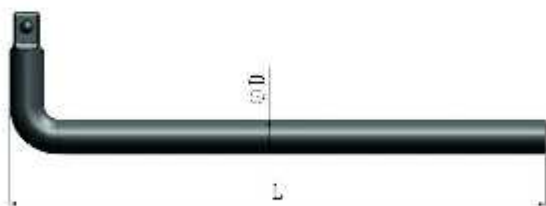
Part NO.	M Size (SAE)	H mm	Type	D mm	L mm	
14TL9075	1/4"	7	A	9	75	
14TL1050	1/4"	5.5	B	9	50	
Part NO.	M Size (SAE)	H Size (SAE)	mm	Type	D mm	L mm
14TL6050	1/4"	1/4"	6.3	C	9	50
14TL6100	1/4"	1/4"	6.3	C	9	100
14TL6150	1/4"	1/4"	6.3	C	9	150
38TL6050	3/8"	1/4"	6.3	D	13	50
38TL6075	3/8"	1/4"	6.3	D	13	75
38TL8075	3/8"	7/16"	11.2	E	13	75
12TL8075	1/2"	7/16"	11.2	F	17	75

3/8"~1"



Sliding "T" Handles

Part NO.	Size (SAE)	D mm	L mm
TT1050	3/8"	19.5	165
TT2050	1/2"	27.5	300
TT4050	3/4"	40	510
TT5050	1"	50	760



"L" Bars

Part NO.	Size (SAE)	D mm	L mm
LL2051	1/2"	16.5	250
LL4050	3/4"	25	450

No.69511071

7 Piece 3/8"dr., Impact Hex Driver Socket Set.
 Contents: 4mm, 5mm, 6mm, 7mm, 8mm, 10mm, 12mm.
 ★ Package: Blow-Mold Case

No.69411071

7 Piece 3/8"dr., Impact Hex Driver Socket Set.
 Contents: 3/16", 7/32", 1/4", 9/32", 5/16", 3/8", 7/16".
 ★ Package: Blow-Mold Case



No.69521061

6 Piece 1/2"dr., Impact Hex Driver Socket Set.
 Contents: 4mm, 6mm, 8mm, 10mm, 8mm, 12mm, 14mm.
 ★ Package: Blow-Mold Case

No.69421061

6 Piece 1/2"dr., Impact Hex Driver Socket Set.
 Contents: 3/16", 7/32", 1/4", 5/16", 3/8", 7/16".
 ★ Package: Blow-Mold Case

No.69521093

9 Piece 1/2"dr., Impact Hex Driver Socket Set.
 Contents: 4mm, 5mm, 6mm, 8mm, 10mm,
 12mm, 14mm, 17mm, 19mm.
 ★ Package: Blow-Mold Case

No.69421091

9 Piece 1/2"dr., Impact Hex Driver Socket Set.
 Contents: 3/16", 7/32", 1/4", 5/16", 3/8", 7/16",
 1/2", 9/16", 5/8".
 ★ Package: Blow-Mold Case



No.69523091

9 Piece 1/2"dr., Impact Hex Driver Socket Set.
 Contents: 5mm, 6mm, 7mm, 8mm, 9mm, 10mm,
 12mm, 14mm, 17mm.
 ★ Package: Blow-Mold Case

No.69423091

9 Piece 1/2"dr., Impact Hex Driver Socket Set.
 Contents: 3/16", 7/32", 1/4", 9/32", 5/16", 3/8",
 1/2", 9/16", 5/8".
 ★ Package: Blow-Mold Case

No. 69541061

6 Piece 3/4"dr., Impact Hex Driver Socket Set.
Contents: 12mm, 14mm, 17mm, 19mm, 22mm, 24mm,
★ Package: Blow-Mold Case

No. 69441061

6 Piece 3/4"dr., Impact Hex Driver Socket Set.
Contents: 1/2", 9/16", 5/8", 3/4", 7/8", 1".
★ Package: Blow-Mold Case



No. 69601081

8 Piece 1/4"dr., Impact External Torx Socket Set.
Contents: E4, E5, E6, E7, E8, E10, E11, E12.
★ Package: Blow-Mold Case

No. 69601082

8 Piece 1/4"dr., Thin Wall Impact External Torx Socket Set.
Contents: E4, E5, E6, E7, E8, E10, E11, E12.
★ Package: Blow-Mold Case



No. 69611091

9 Piece 3/8"dr., Impact External Torx Socket Set.
Contents: E5, E6, E7, E8, E10, E11, E12, E14, E16.
★ Package: Blow-Mold Case

No. 69611092

9 Piece 3/8"dr., Thin Wall Impact External Torx Socket Set.
Contents: E4, E6, E7, E8, E10, E11, E12, E14, E16.
★ Package: Blow-Mold Case



No.69623091

9 Piece 1/2"dr., Impact External Torx Socket Set.
Contents: E10, E11, E12, E14, E18, E20, E22, E24.
★ Package: Blow-Mold Case



No.69623092

9 Piece 1/2"dr., Thin Wall Impact External Torx Socket Set.
Contents: E10,E11,E12,E14,E16,E18,E20,E22,E24.
★ Package: Blow-Mold Case



No.69621161

16 Piece 1/2"dr.,Impact External & Internal Torx Socket Set
Contents: 9pcs Thin Wall External Torx:
E10,E11,E12,E14,E16,E18,E20,E22,E24.
7pcs Internal Torx, Length 55mm:
T40,T45,T47,T50,T55,T60,T70.
★ Package: Blow-Mold Case



No.69601111

11 Piece 1/4"dr., Impact Internal Torx Socket Set.
Contents: T5,T6,T7,T8,T9,T10,T15,T20,T25,T27,T30.
★ Package: Blow-Mold Case



No.69611071

7 Piece 3/8"dr., Impact Internal Torx Socket Set.
Contents: T10,T15,T20,T25,T27,T30,T40.
★ Package: Blow-Mold Case

No.69611072

7 Piece 3/8"dr., Impact Internal Torx Socket Set.
 Contents: T25,T30,T40,T45,T47,T50,T55.
 ★Package: Blow-Mold Case



No.69611111

11 Piece 3/8"dr., Impact Internal Torx Socket Set.
 Contents: T10,T15,T20,T25,T27,T30,T40
 T45, T47, T50, T55.
 ★Package: Blow-Mold Case

No.69621091

9 Piece 1/2"dr., Impact Internal Torx Socket Set.
 Contents: T20,T25,T27,T30,T40,T45,T50
 T55, T60, Length 75mm.
 ★Package: Blow-Mold Case



No.69621111

11 Piece 1/2"dr., Impact Internal Torx Socket Set.
 Contents: T20,T25,T27,T30,T40,T45,T47
 T50,T55,T60,T70,Length 55mm.
 ★Package: Blow-Mold Case

No.69621112

11 Piece 1/2"dr., Impact Internal Torx Socket Set.
 Contents: T20,T25,T27,T30,T40,T45,T47
 T50,T55,T60,T70,Length 75mm.
 ★Package: Blow-Mold Case



No. 69601101

10 Piece 1/4" & 3/8" & 1/2"dr., Impact Internal Torx Socket Set.

Contents: 3pcs 1/4"dr.:T8,T10,T15.

3pcs 3/8"dr.:T20,T25,T30.

4pcs 1/2"dr.:T40,T50,T55,T60,Length 55mm.

★ Package: Blow-Mold Case



No. 69501081

8 Piece 1/4"dr., Impact Socket Set.

Contents: 4mm,4.5mm,5mm,5.5mm, 6mm,7mm,8mm,9mm.

★ Package: Blow-Mold Case

No. 69501121

12 Piece 1/4"dr., Impact Socket Set.

Contents: 9pcs Impact Sockets:6mm,7mm,8mm,9mm, 10mm,11mm,12mm,13mm,14mm.

1pc 50mm Extension Bar.

1pc 100mm Extension Bar.

1pc 3/8"F x 1/4"M Adapter.

★ Package: Blow-Mold Case



No. 69511101

10 Piece 3/8"dr., Impact Socket Set.

Contents: 9mm,10mm,11mm,12mm, 13mm,14mm,15mm,16mm,17mm,19mm.

★ Package: Blow-Mold Case

No. 69621162

16 Piece 1/2"dr., Impact Bit & Socket Set.

Contents: 2pcs Bit Adapter:5/16",1/2".

11pcs 1/2"Hex Driver Bits:

6mm,7mm,8mm,10mm,12mm,14mm,

T30,T40,T45,T50,T55.

3pcs 5/16"Hex Driver Bits:Philip #2, #3, #4.

★ Package: Blow-Mold Case



No.69623291

29 Piece 1/2"dr., Impact Bit & Socket Set.

Contents: 13pcs 6-Point Impact Sockets:

13mm,14mm,15mm,16mm,17mm,18mm,19mm,
21mm,22mm,24mm,27mm,30mm,32mm.

2pcs Bit Adapter:5/16",1/2".

11pcs 1/2"Hex Driver Bits:

6mm,7mm,8mm,10mm,12mm,14mm,
T30,T40,T45,T50,T55.

3pcs 5/16"Hex Driver Bits:Philip #2, #3, #4.

★ Package: Blow-Mold Case



No.69523031

3 Piece 1/2"dr., Wheel Nut Deep Impact Socket Set.
With Plastic Sleeve & Stop.

Contents: 17mm = Blue Plastic Sleeve

19mm = Yellow Plastic Sleeve

21mm = Red Plastic Sleeve

★ Package: Blow-Mold Case

No.69521052

5 Piece 1/2"dr., Stud Bolt Impact Socket Set.

Contents: M6×P1.0, M8×P1.25, M10×P1.50,
M12×P1.75, M14×P2.00.

★ Package: Blow-Mold Case



No.69521103

10 Piece 1/2"dr. , Impact Socket Set.
Contents: 9mm,10mm, 11mm,13mm,14mm,
17mm,19mm,22mm,24mm,27mm.

★ Package: Blow-Mold Case



No.69523106

10 Piece 1/2"dr. , Impact Socket Set.
Contents: 21mm, 22mm, 23mm,24mm,27mm,
29mm,30mm,32mm,33mm,36mm.

★ Package: Blow-Mold Case



No.69523121

12 Piece 1/2"dr. , Impact Socket Set.
Contents: 8mm, 9mm, 10mm, 11mm,12mm,13mm,
14mm,15mm,16mm,17mm,18mm,19mm.

★ Package: Blow-Mold Case



No.69521142/3

14 Piece 1/2"dr. , Impact Socket Set.
Contents: 10mm, 11mm, 12mm,13mm,14mm, 15mm,16mm,
17mm,18mm,19mm,21mm,22mm,23mm,24mm.

★ Package: Blow-Mold Case



No.69523181

18 Piece 1/2"dr. , Wheel Nut Impact Socket Set.
Contents: 9pcs Regular Length Sockets:
10m,11m,13mm,14mm,17mm,
19mm,21mm,22mm,24mm.
4pcs Deep Length Sockets:
13mm,14mm,21mm,24mm.
3pcs Thin Wall Deep Length Sockets:
17mm,19mm,21mm.

1pc Universal Joint.

1pc 125mm Extension Bar.

★ Package: Blow-Mold Case

No.69551061

6 Piece 1"dr., Truck Wheel Impact Socket Set.

Contents: 4pcs Semi Deep Sockets:

32mm,35mm,36mm,38mm,41mm.

1pc 21mm,Sp Budd Wheel.

★ Package: Blow-Mold Case



No.69541087

8 Piece 3/4"dr., Impact Socket Set.

Contents: 24mm,27mm,30mm,32mm,

33mm,36mm,38mm,41mm.

★ Package: Blow-Mold Case

No.69541086/7

8 Piece 3/4"dr., Impact Socket Set.

Contents: 26mm,27mm,29mm,30mm,

32mm,35mm,36mm,38mm.

★ Package: Blow-Mold Case



No.69551041

4 Piece 1"dr., Deep Impact Socket Set.

Contents: 27mm,30mm,32mm,33mm.

★ Package: Blow-Mold Case



No.69511102

10 Piece 3/8"dr., Universal Impact Socket Set.

Contents: 10mm,11mm,12mm,13mm,14mm,

15mm,16mm,17mm,18mm,19mm.

★ Package: Blow-Mold Case

No.69511103

10 Piece 3/8"dr., Deep Universal Impact Socket Set.

Contents: 10mm,11mm,12mm,13mm,14mm,

15mm,16mm,17mm,18mm,19mm.

★ Package: Blow-Mold Case



No.69423092

9 Piece 1/2"dr. , Deep Universal Impact Socket Set.
Contents: 7/16", 1/2", 9/16", 5/8", 11/16", 3/4", 13/16", 7/8", 15/16".
★ Package: Blow-Mold Case

No.69523094

9 Piece 1/2"dr. , Deep Universal Impact Socket Set.
Contents: 13mm, 14mm, 15mm, 16mm, 17mm,
18mm, 19mm, 21mm, 22mm.
★ Package: Blow-Mold Case



No.69423093

9 Piece 1/2"dr. , Universal Impact Socket Set.
Contents: 7/16", 1/2", 9/16", 5/8", 11/16",
3/4", 13/16", 7/8", 15/16".
★ Package: Blow-Mold Case

No.69523095

9 Piece 1/2"dr. , Universal Impact Socket Set.
Contents: 13mm, 14mm, 15mm, 16mm, 17mm,
18mm, 19mm, 21mm, 22mm.
★ Package: Blow-Mold Case



No.69523093

9 Piece 1/2"dr. , Universal Impact Socket Set.
Contents: 13mm, 14mm, 15mm, 16mm, 17mm,
18mm, 19mm, 21mm, 22mm.
★ Package: Blow-Mold Case

